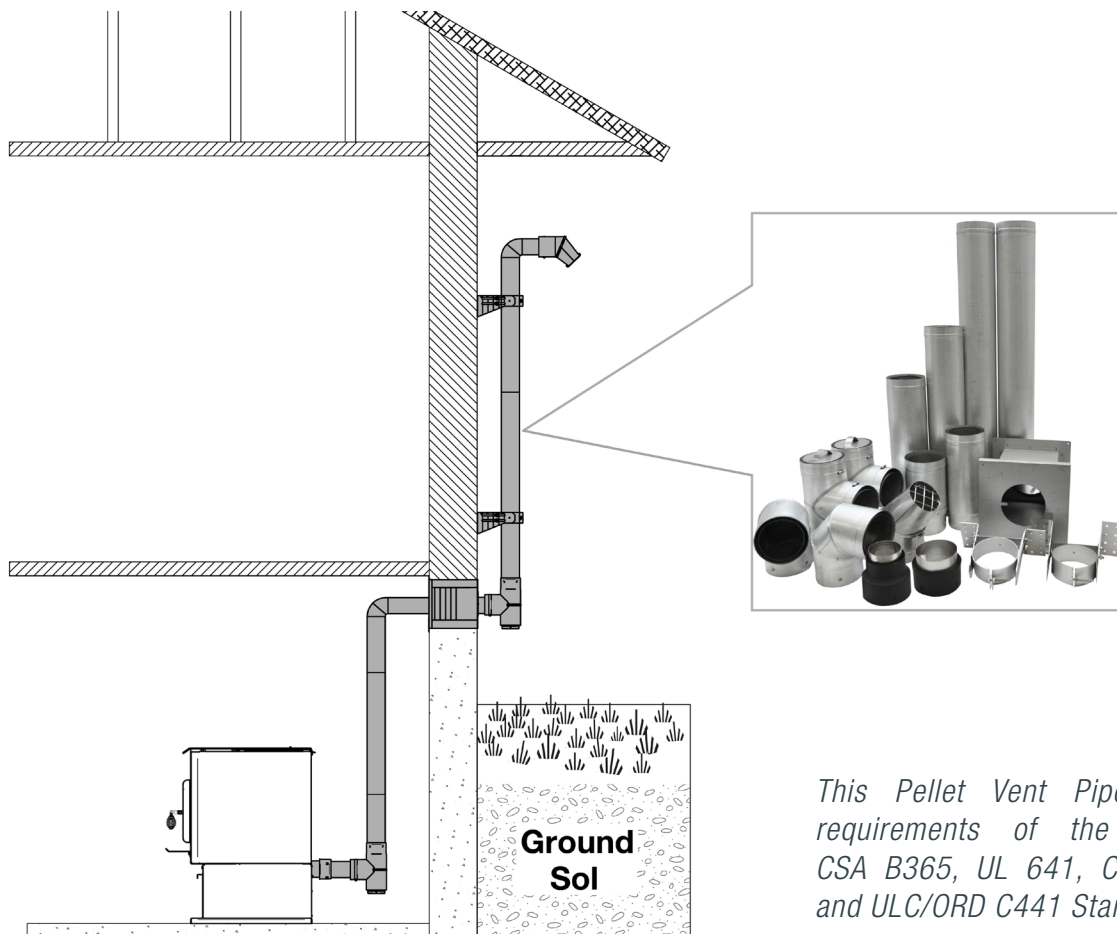


VORTEX
venting solutions / solutions d'évents

Installation Manual

4" VORTEX PELLET VENT BASEMENT KIT (VOPKB04)



This Pellet Vent Pipe meets the requirements of the NFPA 211, CSA B365, UL 641, CAN/ULC S609 and ULC/ORD C441 Standards.

A MAJOR CAUSE OF CHIMNEY RELATED FIRES IS FAILURE TO MAINTAIN REQUIRED CLEARANCES (AIR SPACES) TO COMBUSTIBLE MATERIALS. IT IS OF THE MOST IMPORTANCE THAT THIS PELLET VENT BE INSTALLED ONLY IN ACCORDANCE WITH THESE INSTRUCTIONS.

Read through these instructions before beginning your installation. Failure to install according to these instructions will void the manufacturer's warranty and may have an effect on your homeowner's insurance and Standards in force.

READ AND KEEP THIS MANUAL FOR REFERENCE

TABLE OF CONTENTS

General Information	3
Product Use	3
Product Location	3
Termination Location	4
Canada.....	4
United States	5
Clearances	5
Equivalent Vent Length (EVL)	5
Installation Preparation	6
Tools, Equipements and Hardware.....	6
Kit Contents.....	7
Installation	7
Maintenance Instructions	9
Maintenance Procedure	9
Fly Ash and Soot.....	10
VORTEX Limited Lifetime Warranty	10

ENGLISH

GENERAL INFORMATION

The quality and workmanship of *Vortex Pellet Vent Pipe* is reflected in the recognition by an accredited laboratory has given these products. The rigorous UL and ULC testing requirements are your assurance of consistent quality, in materials and manufacturing standards, used for this chimney system.

In addition, the industry leading Warranty on *Vortex Pellet Vent Pipe* is a further indication of our confidence in the quality of these products. Thank you for choosing Vortex!

The criteria for installation must be in conformance with the specifications contained in the latest version of the NFPA 211 (USA) (Standard for Chimneys, Fireplaces, Vents and Solid Fuel Burning Appliances) or CSA B365 (Canada) (Installation code for solid-fuel-burning appliances and equipment) and local or state building codes, whichever has jurisdiction. It may be necessary to obtain permits before installing the chimney system.



ALWAYS CONTACT YOUR LOCAL BUILDING OFFICIAL OR FIRE OFFICIAL REGARDING PERMITS, RESTRICTIONS AND INSTALLATION INSPECTIONS IN YOUR AREA.

This product should be installed, by a qualified chimney or venting professional, according to these installation and maintenance instructions. Read through and become familiar with these installation instructions before installing this product. Failure to follow these instructions may void the manufacturer's warranty and the Standards in force for this product.

PRODUCT USE

The *Vortex Pellet Vent Pipe* in 4" (100 mm) diameter is tested and listed to UL 641, CAN/ULC S609 and ULC/ORD C441 for venting listed wood or corn pellet fuel fired appliances producing flue gas temperatures between 100°C (212°F) and 300°C (570°F)

PRODUCT LOCATION

When selecting the location for an appliance and venting pipe it is necessary to follow the NFPA 211 (United States) and CSA B365 (Canada) standards.

In addition, where possible, choose a location that will ensure that the vent system will not conflict with floor joists, roof trusses, studs, water pipes or electric wires. It is easier to relocate the appliance than to change the structure of the home. Also choose a location to install the vent system with as few deviations as possible.

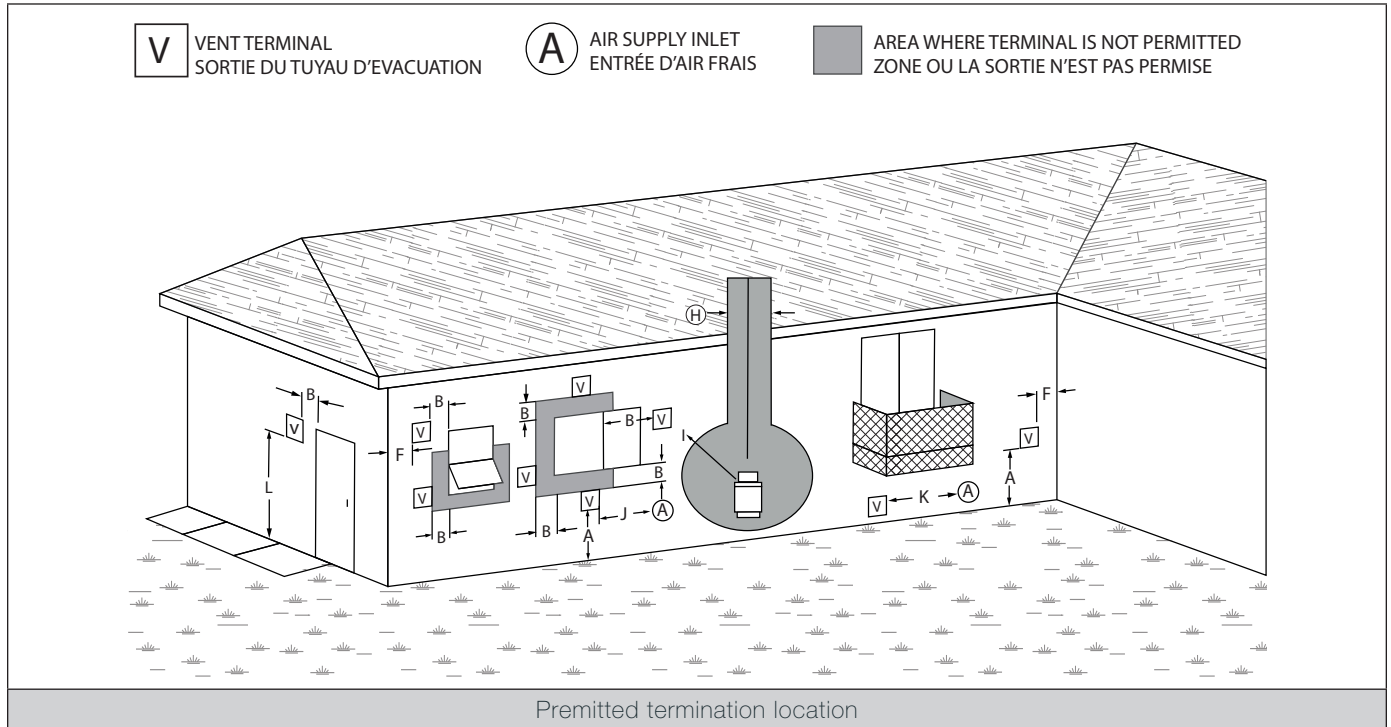
TERMINATION LOCATION

Refer to NFPA 211 (USA) or CSA B365 (Canada) to find out more about the required distance of termination location from windows and openings. The termination of a mechanical draft system, other than a direct vent appliance, shall be located in accordance with the following:

Termination of a side wall vent should be located to avoid personal burn injury, fire hazard and interference with or damage to adjacent properties. Exhaust gases can reach temperatures of 500°F (260°C) and cause serious burns.

A vent shall not terminate underneath a veranda, porch, or deck and shall not terminate directly above a sidewalk or a paved driveway which is located between two single family dwelling and serves both dwellings.

ENGLISH



Canada

	CLEARANCES	DESCRIPTION
A	12" (30 cm)	Clearances above grade level or any adjacent surface that might support snow, ice, or debris.
B	39" (100 cm)	Clearance to window or door that may be opened.
F	39" (100 cm)	Clearance to corner or adjacent wall or any combustible materials.
H	39" (100 cm)	Not to be installed above a meter/regulator assembly within 39" (100 cm) horizontally from the vertical center-line of the regulator and for 15' vertically.
I	72" (183 cm)	Clearance to gas service regulator vent outlet or within 39" (100 cm) of an oil tank vent or an oil tank fill inlet.
J	39" (100 cm)	Clearance to the combustion air inlet to any other appliance.
K	72" (183 cm)	Clearance to a mechanical air supply inlet.
L	84" (213 cm)	Clearance above paved side-walk or a paved driveway located on public property.
	39" (100 cm)	Clearance to property boundary.

United States

CLEARANCES	DESCRIPTION
36" (91 cm)	Clearance above any forced air inlet located within 120" (305 cm).
48" (122 cm)	Clearance below and horizontally from any door, window or gravity air inlet into any building.
12" (30 cm)	Clearance above any door, window or gravity air inlet into any building.
24" (61 cm)	Clearance from an adjacent building.
84" (213 cm)	Clearance above grade when located adjacent to a public walkway.
12" (30 cm)	Clearance above grade.
36" (91 cm)	Termination cannot be located above a gas meter/regulator within 36" (91cm) horizontally of the vertical center line of the regulator.
72" (183 cm)	Clearance of a gas service regulator vent outlet.

CLEARANCES

Vortex Pellet Vent Pipe is listed by an accredited agency as a vent for listed pellet stoves. **The minimum clearance from pellet vent to combustibles is 1" (2.5 cm).** Never fill any required clearance space with insulation or any other materials.

EQUIVALENT VENT LENGTH (EVL)

Even though the chimney draft of a pellet stove is mechanical, a suitable venting system will ensure a natural draft which will prevent smoke spillage in the home if a power outage occurs. Moreover, a suitable venting system configuration will help getting the best efficiency out of the stove when installed in accordance with the required equivalent vent length (EVL).

Pellet stoves are usually equipped with a blower that draws air for combustion. The venting system restricts the blower's ability to move the amount of air required for proper combustion. An overly restrictive venting system will cause incomplete combustion problems, more frequent cleaning and poor performance. It is recommended to select a location for the appliance that will provide a venting system with the shortest possible equivalent vent length (EVL).

A 4" pipe is recommended for basement installation or if the equivalent vent length (EVL) is more than 15 feet.

To calculate the Equivalent Vent Length, refer to the following table:

Qty	Type of pipe	Equivalent Vent Length (EVL)
1	90° Elbow or T	5 feet
1	45° Elbow	3 feet
1 feet	Horizontal Pipe	1 feet
1 feet	Vertical Pipe	½ feet

Example of how to calculate the EVL for a basement installation

ENGLISH

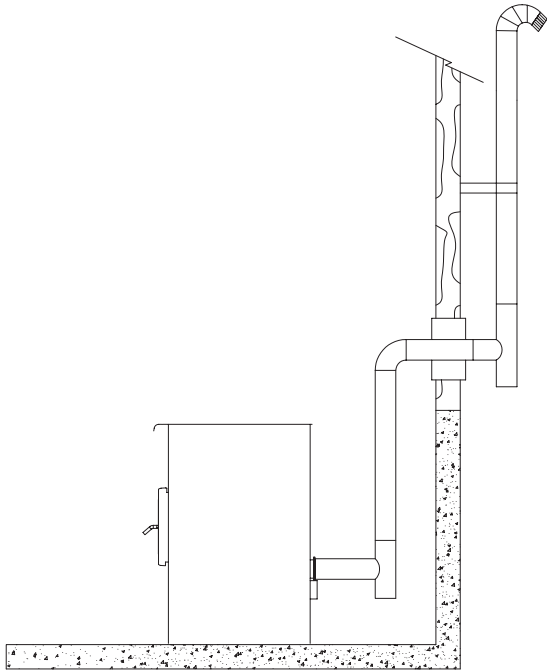


Diagram to calculate the Equivalent Vent Length

1 ft. of horizontal run (1 X 1' EVL)	= 1' EVL
90° elbow or T (1 X 5' EVL)	= 5' EVL
10 ft. of vertical run (10 X 0.5' EVL)	= 5' EVL
90° elbow or T (1 X 5' EVL)	= 5' EVL
2 ft. of horizontal run (2 X 1' EVL)	= 2' EVL
90° elbow or T (1 X 5' EVL)	= 5' EVL
12 ft. of vertical run (12 X 0.5' EVL)	= 6' EVL
Termination / Cap	= 0' EVL
<hr/>	
Total EVL	= 29' EVL

Since the EVL is more than 15 feet and its in the basement, the venting pipe inner diameter recommended is 4".

INSTALLATION PREPARATION



Use of any parts or materials not specified in this installation manual may not provide a listed system and may void the *Vortex Pellet Vent Pipe* warranty. Do not attempt matching Vortex components or pipe sections with another manufacturer's products. Do not use damaged or modified parts.

Tools, Equipements and Hardware

Tools		Equipements	Hardware
Plumb Bob	Drill	Ladder	Framing Nails
Reciprocating Saw	Level	Safety Glasses	Roofing Nails
Keyhole Saw	Tape Measure	Protective Gloves	High Temperature Silicone Sealant
Metal Snips	Caulk Gun		
Hammer	Screw Drivers		

Kit Contents

No.	Components	Qty
1	Stove Adapter	1
1	3" to 4" increaser	1
2	Slip Section 9"L (Adjustable)	1
3	Tee	2
4	Wall Pass-thru	1
5	90°Elbow	2
6	Wall Support	2
7	Jet Cap	1
xx	12" Pipe Length	1
xx	18" Pipe Length	1
xx	36" Pipe Length	1

INSTALLATION



The ends of the chimney sections, edges of the cap, roof flashings, tee and other components can be sharp! We strongly recommend the use of gloves during installation.



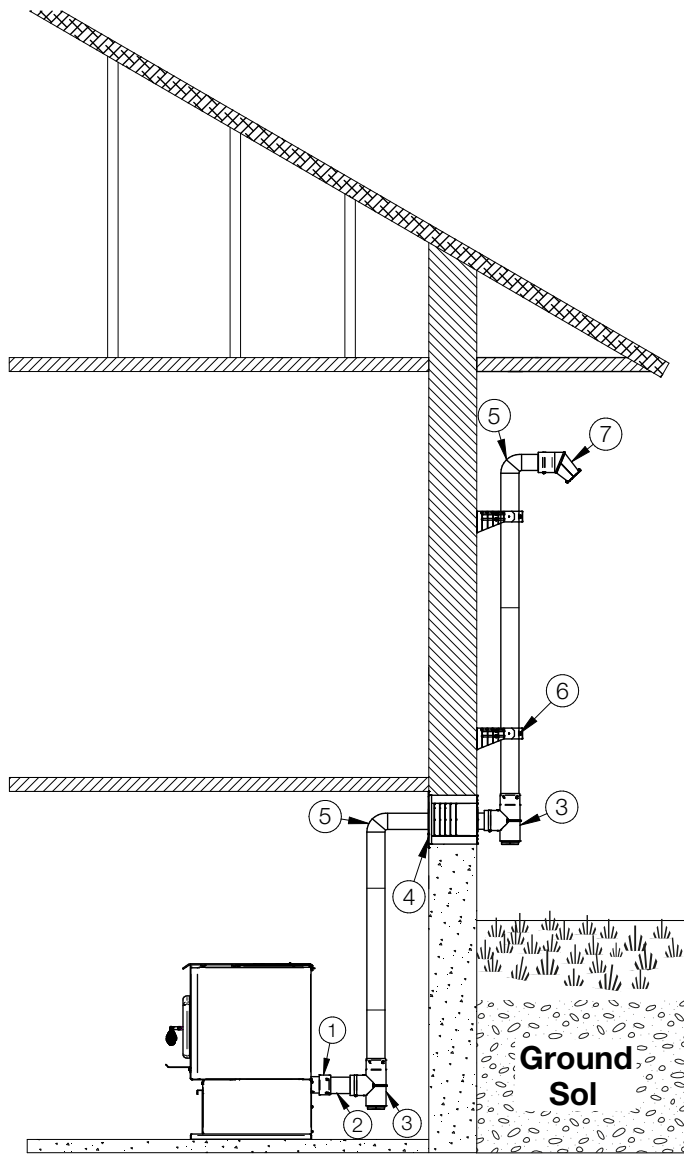
Burning solid fuels generates carbon monoxide in low concentration. In higher concentrations, **carbon monoxide is toxic and may cause death**. To prevent this, the **exhaust venting system must be airtight**. All vent connector joints must be sealed with a high temperature silicone and secured with a minimum of three #8 x 1/2" self-drilling screws.

The following installation is for reference only and may not represent your type of installation.

Position appliance: Locate the appliance in accordance with the appliance manufacturer's instructions and clearance specifications. Pay particular attention to the outlet flue collar of the appliance and endeavor to position it between the wall studs. Install a stove adapter **(1)** by first applying high temperature sealant onto the appliance flue collar and then secure the stove adapter with a minimum of three #8 x 1/2" self-drilling screws. Install the increaser the same way.

Rough Frame Wall Opening: The wall opening should be centered between two wall studs. To determine the height of the opening it is helpful to preassemble the slip section **(2)** and fit to the stove adapter or increaser. Install a tee **(3)** and run pipes lengths to reach the 90° elbow **(5)**. Mark the location on the wall. Cut and frame the opening. Refer to the table below for rough opening dimensions.

Rough Opening dimensions	
Pipe Diameter	Opening
4" (100 mm)	7 1/2" X 7 1/2" (190 mm x 190 mm)



Basement Typical Pellet Vent Installation

Wall Pass-Thru Installation: A Wall Pass-Thru (4) must be used when the pellet vent pipe passes through a combustible wall. The Wall Pass-Thru consists of three parts: The exterior fire stop section, the adjustable extension, and the interior trim plate.

Install the fire stop section on the outside wall with the tube section pointing to the structure interior. It is recommended to seal the outside edges of the fire stop section with a water proof silicone caulk. Secure the fire stop section to the framing with a minimum of four 8-penny nails or four #8 x 1-1/2" wood screws.

From the interior, slide the adjustable extension onto the fire stop section tube. Adjust the extension so that it will be flush with the interior trim plate once installed. Use a minimum of three self drilling screws to secure the adjustable extension to the fire stop tube.

Pipe installation: Connect enough sections to protrude the horizontal pipe from the outside wall. Install a tee (3) on the pipe that runs through the wall. Install a vertical pipe section that is at least 36" long, making sure the 1" (25 mm) clearance to combustibles is maintained. Install a wall support (6) right after the tee and then every 8 feet (2,4 m). Install a 90° elbow (5) facing out from the wall, and then attach a stainless steel vent cap (7), facing towards the ground (a 45° elbow or a horizontal vent cap may be used). A spark arrester must be attached to the vent cap. Seal the exterior wall bracket with silicone.



THE INSTALLATION OF A SPARK ARRESTER ON THE TERMINATION OF THE VENT IS MANDATORY.

MAINTENANCE INSTRUCTIONS

This pellet vent system must be installed and serviced by a qualified chimney or venting professional. The criteria for the inspection and maintenance must be in conformance with local or state building codes, whichever has jurisdiction. It is recommended you use an inspection form and make notes that you can review with the homeowner.

Maintenance Procedure

It is important that this venting system is checked and cleaned annually or as per stove manufacturer's instructions. This is for the safety of the homeowner and is necessary to meet the warranty requirements of *Vortex Pellet Vent Pipe*. During the heating season the venting system should be inspected for build-up at least once every two months. If a build-up has accumulated, it should be removed immediately to reduce the risk of a chimney fire.

It is recommended to clean thoroughly the pellet venting system after every heating season. During summer, the air is damper and with minimal air circulation within the venting system, it can mix with creosote and/or soot deposits in pipes to form an acid that could accelerate the corrosion process and induce premature decay of the steel. Have your pellet venting system cleaned by a professional chimney sweep. Use a plastic brush

To clean the venting system it is recommended to perform the following:

1. Remove the Cap by loosening the band clamp.
2. Select the proper sized plastic chimney brush to clean the chimney.
3. In some instances, proper cleaning will require removing the appliance and disassembling the connector assembly to thoroughly inspect and clean parts that cannot be reached otherwise.
4. Inspect and clean the Chimney Cap by loosening the clamp band. Spark arrestors and other screens may be necessary or required in some areas, but may be susceptible to blockage from fly ash or through freezing moisture in areas of low ambient temperature.
5. Reinstall the Chimney Cap.
6. Before the initial firing of the appliance, check the appliance's operating instructions for initial firing precautions.

The venting system must be maintained in good condition and well maintained.

IF A SIGNIFICANT LAYER OF CREOSOTE HAS ACCUMULATED (3 MM (1/8") OR MORE), IT MUST BE REMOVED IMMEDIATELY TO ELIMINATE CHIMNEY FIRE HAZARD.

Facing a Chimney Fire

- Evacuate family members and animals from the building, and then call the fire department.
- Turn off the unit. **Do not unplug it!**
- If possible, use a chemical fire extinguisher, baking soda or sand to control the fire. Do not use water as this may cause hazardous vapor explosions.
- Do not use the appliance until the venting system and the appliance have been inspected by a qualified chimney sweeper or fire inspector.

Fly Ash and Soot

Combustion products contain small particles of fly ash. Fly ash can accumulate particularly in the horizontal sections of exhaust pipe and restrict the flow of combustion gases. Incomplete combustion during start-up, shut-down or improper use of the appliance will cause soot to build up in the exhaust system.

The exhaust system must be inspected at least twice a year to determine if sweeping is required.

VORTEX LIMITED LIFETIME WARRANTY

The manufacturer's warranty applies only to the original purchaser and is not transferable. Subject to the conditions and exclusions set forth below, the manufacturer warrants that its products will be free from manufacturing if properly installed. This warranty only covers replacement of defective pellet vent pipe components in a residential installation. This warranty is void if the pellet vent pipe is used in a different application than what it is designed for. This warranty is also the sole and exclusive remedy, offered in lieu of all other warranties, expressed or implied.

Warranty conditions

The warranty of the pellet vent system and its components are subject to the following conditions :

1. Brand new products with proof of purchase only;
2. Products must have been purchased from an authorized SBI dealer;
3. Installation in accordance with the instructions supplied with this product and all local and national building codes;
4. Normal use with a residential pellet heating appliance (stove, insert or furnace) that has been certified by an accredited laboratory;
5. The pellet vent pipe is designed to operate at a maximum continuous temperature of 260 degrees Celsius (500 degrees Fahrenheit) or less;
6. The pellet vent system must be cleaned and inspected on an annual basis by a chimney professional at intervals of no more than 12 months each, starting at the date of purchase and as long as the warranty period applies. Receipts verifying that maintenance was performed must be kept;
7. Products under this warranty must have been produced after the revision date indicated on the cover page of this document;
8. The venting system must have a cap installed;
9. Parts or components from other manufacturers are not covered by this warranty.

Warranty application in the case of a replacement:

	Parts	Labour
1 to 10 years ¹	100% (100% of the purchase price at the time of the replacement)	n/a
11 to 15 years ¹	50% (a 50% rebate applies to the purchase price at the time of the replacement)	n/a
16+ years ¹	25% (a 25% rebate applies to the purchase price at the time of the replacement)	n/a

¹ From the date of purchase.

The manufacturer may, at its discretion, fully discharge all obligations with respect to this warranty by refunding the wholesale price of any warranted but defective parts or supply any replacement parts under warranty without any charge.

Warranty exclusions

This warranty does not cover:

1. Labour and installation costs;
2. Products that have been altered, modified or repaired since shipment from factory;
3. Products that have been moved from their original installation site;
4. Any non-stainless or not galvanized components mounted or connected to the chimney or venting system;
5. Damage (to products, appliances or structure) caused by misuse, abuse, improper installation, lack of maintenance, improper inspection or any other negligence;
6. Incidental or collateral damages caused by smoke, fire, flood, strong winds, “acts of God”, or any other contingency beyond the manufacturer’s control;
7. Use of improper chimney cleaners or any improper solvents/chemicals will void all applicable warranties;
8. The use of any solid fuel other than wood pellets, except upon the express, written approval from the manufacturer for other pellet fuel;

Claim process

Shall your unit or any component be defective, contact immediately your SBI dealer. Prior to your call, make sure that you have the following information necessary for your warranty claim treatment:

- *Your name, address and telephone number;*
- *Model name as indicated on the certification label or instruction sheets;*
 - *Original invoice and dealer’s name;*
- *Nature of the defect and any relevant information.*

Before shipping defective component to the manufacturer, you must first obtain a return authorization number. Supporting documents or digital pictures may be required to support the claim. Any merchandise shipped to the manufacturer without authorization will be refused automatically and returned to sender.

Distributed by:

Stove Builder International inc.
250, rue de Copenhague,
St-Augustin-de-Desmaures (Québec) Canada
G3A 2H3
418-908-8002
tech@sbi-international.com

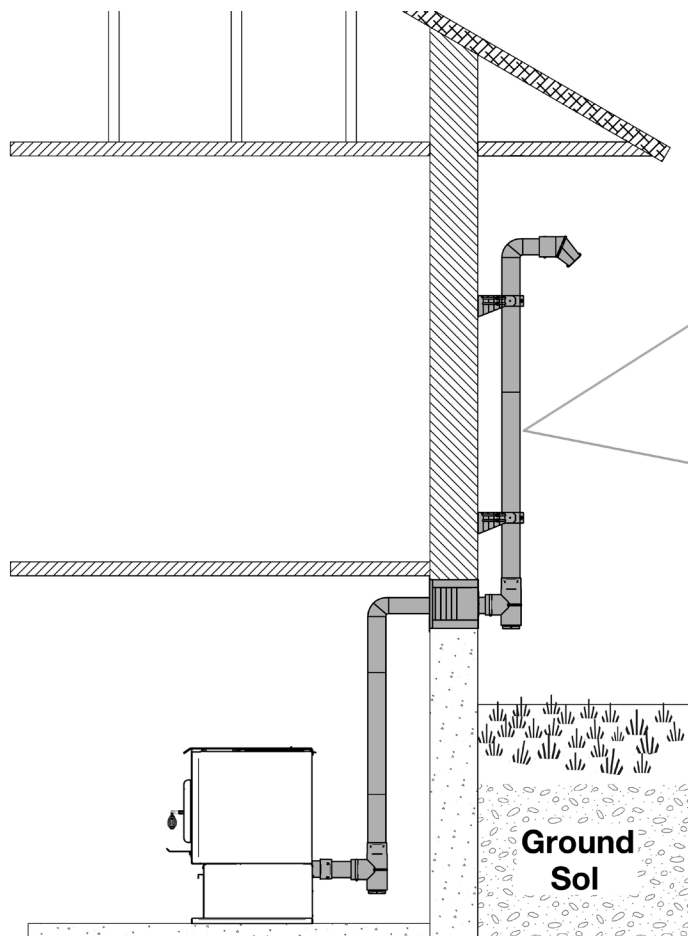


VORTEX

venting solutions / solutions d'évents

Manuel d'installation

ENSEMBLE D'ÉVENT À GRANULES 4" VORTEX POUR SOUS-SOL (VOPKB04)



FRANÇAIS

Ce tuyau d'évacuation Vortex pour appareil à granules est conforme aux normes NFPA 211, CSA B365, UL 641, CAN/ULC S609 et ULC/ORD C441.

L'UNE DES PRINCIPALES CAUSES DES FEUX DE CHEMINÉE EST LE NON-RESPECT DES DÉGAGEMENTS OBLIGATOIRES (ESPACES D'AIR) AUX MATÉRIEAUX COMBUSTIBLES. IL EST DE LA PLUS HAUTE IMPORTANCE QUE LE SYSTÈME D'ÉVENT À GRANULES SOIT INSTALLÉ CONFORMÉMENT AUX PRÉSENTES DIRECTIVES.

Veuillez lire les présentes instructions avant de commencer l'installation. Le fait de ne pas respecter les instructions d'installation du produit annulera la garantie du fabricant et peut avoir des conséquences sur votre assurance habitation et sur le statut d'inscription des normes en vigueur.

LIRE LE PRÉSENT MANUEL ET LE CONSERVER POUR CONSULTATION

TABLE DES MATIÈRES

Informations générales	15
Application du produit	15
Emplacement du produit	15
Terminaison murale	16
Canada.....	16
États-Unis.....	17
Dégagements	17
Longueur d'évent équivalente (LEE)	17
Préparation de l'installation	18
Outils, équipements et quincaillerie.....	18
Composants inclus dans la boîte	19
Installation	19
Instructions d'entretien	21
Procédure de nettoyage.....	21
Cendres volantes et suie.....	22
Garantie limitée à vie VORTEX	22

INFORMATIONS GÉNÉRALES

La qualité et la fabrication des *tuyaux d'évacuation Vortex pour appareil à granules* s'illustrent par la reconnaissance accordée à ces produits par un organisme accrédité. Les exigences rigoureuses des normes UL et ULC en matière de test constituent la garantie d'un niveau de qualité constant touchant les normes des matériaux et de fabrication de ce système de cheminée.

De plus, la garantie de premier plan offerte sur les *tuyaux d'évacuation Vortex pour appareil à granules* démontre également notre confiance dans la qualité de ces produits. Merci d'avoir choisi la gamme Vortex!

Les critères d'installation doivent être conformes aux spécifications de la dernière version de la norme NFPA 211 (États-Unis) (Norme pour les cheminées, les foyers, les événements et les appareils brûlant des combustibles solides) ou CSA B365 (Canada) (Code d'installation pour les appareils à combustible solide et les équipements) et à celles des codes du bâtiment locaux ou nationaux, selon celle qui a compétence en la matière. Il peut être nécessaire d'obtenir un permis avant d'installer ce système d'évent



COMMUNIQUEZ TOUJOURS AVEC LE SERVICE MUNICIPAL DU BÂTIMENT ET LE SERVICE DES INCENDIES À PROPOS DES PERMIS, DES RESTRICTIONS ET DES EXIGENCES D'INSPECTION ET D'INSTALLATION DANS VOTRE RÉGION.

Il est fortement recommandé de faire installer ce produit par un installateur de cheminée qualifié ou par un professionnel de la ventilation, conformément aux présentes instructions d'installation et d'entretien. Lisez attentivement ces instructions et familiarisez-vous avec le processus d'installation avant d'installer ce produit. Le fait de ne pas respecter les instructions peut annuler la garantie du fabricant, et avoir des conséquences sur le statut d'inscription de la norme en vigueur associé à ce produit.

APPLICATION DU PRODUIT

Le *tuyau d'évacuation Vortex pour appareil à granules*, d'un diamètre de 4 po (100 mm) est testé et homologué selon les normes UL 641, CAN/ULC S609 et ULC/ORD C441 pour résister à une température de 300°C (570°F) et à des fins d'utilisation avec des appareils à événement, homologués à granules de bois ou de maïs, et produisant des températures de gaz de combustion comprises entre 100 °C (212 °F) et 300 °C (570 °F).

EMPLACEMENT DU PRODUIT

Lorsque vous choisissez l'emplacement d'un appareil de chauffage et d'un tuyau d'évacuation, vous devez tenir compte des règles de la norme NFPA 211 (États-Unis) ou CSA B365 (Canada).

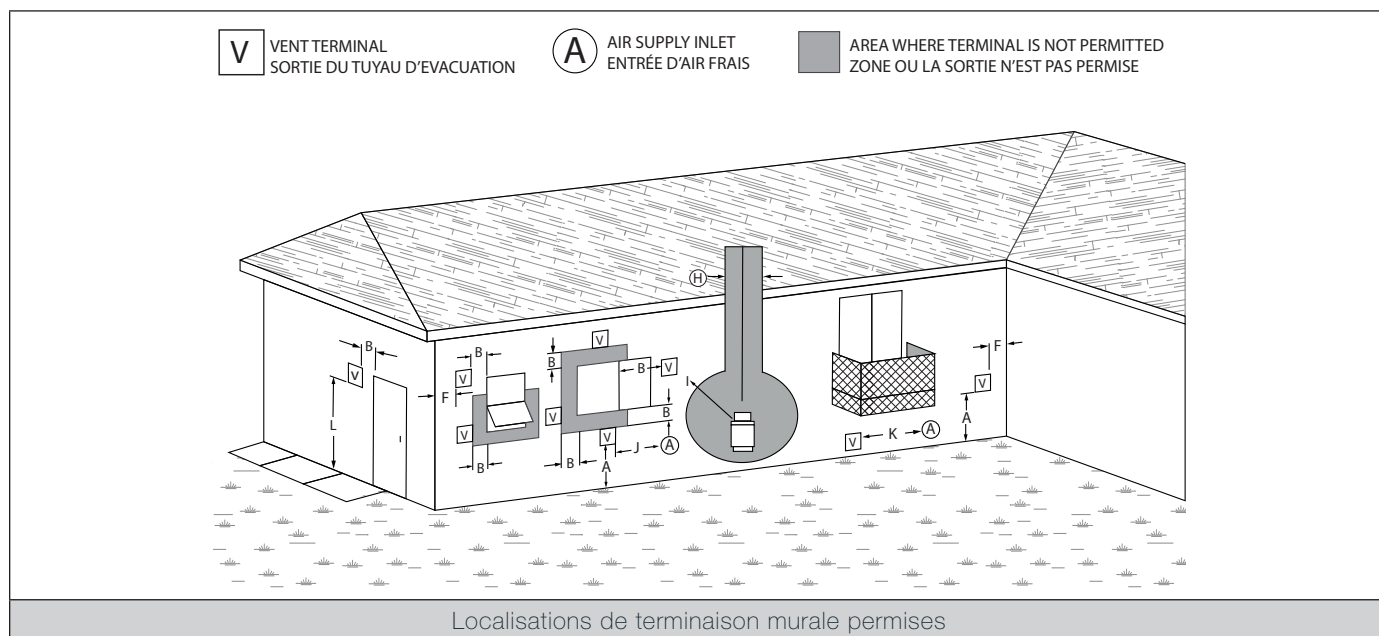
De plus, lorsqu'il est possible, choisissez un emplacement qui fera en sorte que le système d'évent n'entrera pas en conflit avec les solives de plancher, les fermes de toit, les montants, les conduites d'eau ou les fils électriques. Il est plus facile de relocaliser l'appareil que de modifier la structure de l'habitation. Choisissez également un emplacement permettant d'installer le système d'évent avec le moins de déviations possible.

TERMINAISON MURALE

Se référer à la norme NFPA 211 ou CSA B365 pour en apprendre davantage sur les règlements relatifs à la distance de la terminaison murale par rapport aux fenêtres et aux portes. La terminaison murale d'un système doté d'un tirage mécanique, autre qu'un appareil à évacuation directe, doit être située conformément aux spécifications suivantes :

La terminaison ne devrait pas être localisée dans un endroit où les gaz d'échappement peuvent présenter un danger. Les gaz d'échappement peuvent atteindre 500 °F (260°C) et causer des brûlures sérieuses.

Une terminaison murale ne peut se trouver en dessous d'une véranda, d'un patio ou d'un balcon et ne doit pas être installée au-dessus d'un trottoir ou d'une entrée située entre deux maisons unifamiliales et utilisée par les deux habitations.



FRANÇAIS

Canada

	DÉGAGEMENTS	DESCRIPTION
A	12" (30 cm)	Dégagement au-dessus du niveau du sol ou de toute surface adjacente pouvant supporter la neige, la glace ou les débris.
B	39" (100 cm)	Dégagement autour d'une fenêtre ou d'une porte qui peut s'ouvrir.
F	39" (100 cm)	Dégagement d'un coin, d'un mur adjacent ou de tout autre matériel combustible.
H	39" (100 cm)	Dégagement de chaque côté à partir du centre d'un régulateur/compteur à gaz et se prolongeant verticalement à 15 pi.
I	72" (183 cm)	Dégagement de la sortie de l'évent d'un régulateur à gaz ou 39" (100 cm) de l'évent ou de l'orifice de remplissage d'un réservoir d'huile.
J	39" (100 cm)	Dégagement de l'entrée d'air de combustion d'un autre appareil.
K	72" (183 cm)	Dégagement d'une entrée d'air mécanique.
L	84" (213 cm)	Dégagement au-dessus d'un trottoir revêtu ou d'une entrée revêtue située sur une propriété publique.
	39" (100 cm)	Dégagement par rapport à la limite de la propriété.

DÉGAGEMENTS	DESCRIPTION
36" (91 cm)	Dégagement au-dessus de toute prise d'air forcé située à moins de 120" (305 cm).
48" (122 cm)	Dégagement horizontal et en dessous d'une fenêtre, porte, ou toute autre prise d'air fonctionnant par gravité.
12" (30 cm)	Dégagement au-dessus d'une fenêtre, porte, ou toute autre prise d'air fonctionnant par gravité.
24" (61 cm)	Dégagement d'une bâtisse adjacente.
84" (213 cm)	Dégagement au-dessus du trottoir si la terminaison est adjacente à une voie publique.
12" (30 cm)	Dégagement au-dessus du niveau du sol.
36" (91 cm)	La terminaison ne peut être située au-dessus d'un compteur de gaz/régulateur dans un rayon de 36" (91 cm) de la ligne centrale du régulateur.
72" (183 cm)	Dégagement de la sortie d'évent d'un régulateur de gaz.

DÉGAGEMENTS

Le tuyau d'évacuation Vortex pour appareil à granules est homologué par un organisme accrédité pour être utilisé comme évent pour les poêles à granules homologués. **Le dégagement minimal entre l'évent pour appareil à granules et les matériaux combustibles est de 1 po (25 mm).** Ce dégagement ne doit jamais être obstrué par un matériau isolant ou tout autre matériau combustible.

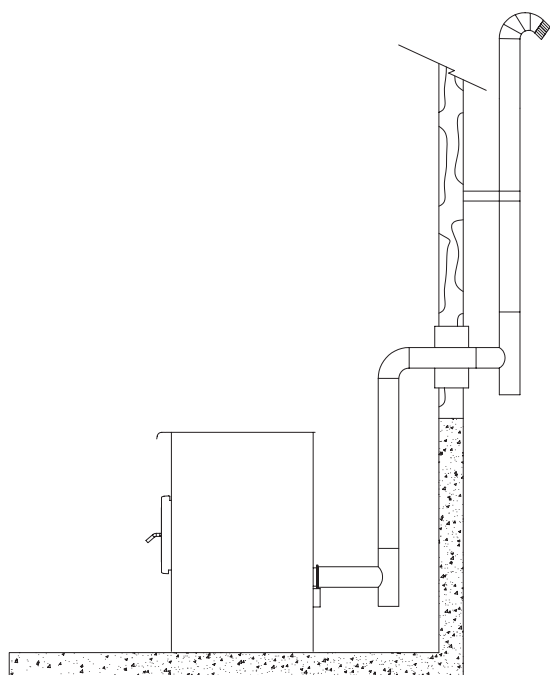
LONGUEUR D'ÉVENT ÉQUIVALENTE (LEE)

Même si le tirage de la cheminée d'un appareil à granules est mécanique, la bonne configuration du système d'évent assurera un tirage naturel qui permettra d'éviter un refoulement de fumée dans la maison, surtout si une panne de courant survient. De plus, une bonne configuration du système d'évent aidera à obtenir un meilleur rendement du poêle lorsqu'il est installé en conformité avec la longueur d'évent équivalente (LEE) requise.

Un appareil à granule est équipé d'un ventilateur qui aspire de l'air pour la combustion. Le système d'évent restreint la capacité du ventilateur à aspirer la quantité d'air nécessaire à une bonne combustion. Un système d'évent trop restrictif occasionnera des problèmes de combustion incomplète, un nettoyage plus fréquent et une mauvaise performance. Il est recommandé de choisir un emplacement pour l'appareil qui permettra d'avoir une longueur d'évent équivalente la plus courte possible.

Un tuyau de 4" est recommandé pour une installation au sous-sol ou si la longueur d'évent équivalente (LEE) est de plus de 15 pieds. Pour calculer la longueur d'évent équivalente d'une installation, se référer au tableau suivant:

Qté	Type de tuyau	Longueur équivalente (LEE)
1	Coude 90° ou Té	5 pieds
1	Coude 45°	3 pieds
1 pied	Tuyau horizontal	1 pied
1 pied	Tuyau vertical	½ pied



long. horizontale de 1 pi. (1 X 1' LEE)	= 1' de LEE
Coude 90° ou Té (1 X 5' LEE)	= 5' de LEE
ong. vert. de 10 pi. (12 X 0.5' LEE)	= 5' de LEE
Coude 90° ou Té (1 X 5' LEE)	= 5' de LEE
long. horizontale de 2 pi. (2 X 1' LEE)	= 2' de LEE
Coude 90° ou Té (1 X 5' LEE)	= 5' de LEE
long. vert. de 12 pi. (12 X 0.5' LEE)	= 6' de LEE
Terminaison / Chapeau	= 0' de LEE
Total LEE	= 29' de LEE

Puisque la LEE totale est de plus de 15 pieds et que l'installation est au sous-sol, le diamètre intérieur du tuyau d'évent recommandé est de 4".

Schéma pour le calcul de la longueur d'évent équivalente

PRÉPARATION DE L'INSTALLATION



L'utilisation de pièces ou de matériaux non spécifiés dans ce manuel d'installation pourrait avoir des conséquences sur l'homologation du système et conduire à l'annulation de la garantie du présent *système Vortex pour appareil à granules*. Il est interdit de mélanger des composants ou des parties de tuyaux Vortex avec des produits de fabricants différents. N'utilisez jamais de pièces endommagées ou modifiées

Outils, équipements et quincaillerie

Outils		Équipements	Quincaillerie
Fils à plomb	Perceuse	Échelle	Clous de charpente
Scie alternative	Niveau	Gants de protection	Clous de toiture
Scie à guichet	Ruban à mesurer	Lunettes de sécurité	Scellant à base de silicone haute température
Cisaille à métaux	Pistolet à calfeutrer		
Marteau	Tournevis		

Composants inclus dans la boîte

No.	Composants	Qté
1	Connecteur pour poêle	1
1	Agrandisseur 3" à 4" pour poêle	1
2	Section de tuyau coulissante 9"	1
3	Té	2
4	Coupe-feu mural	1
5	Coude 90°	2
6	Support mural	2
7	Chapeau conique	1
xx	Longueur de tuyau 12"	1
xx	Longueur de tuyau 18"	1
xx	Longueur de tuyau 36"	1

INSTALLATION



Les extrémités des sections de cheminée, bordures de chapeau, ensembles de solins de toit, tés et autres composants peuvent être coupantes. Il est fortement recommandé de porter des gants pendant l'installation.



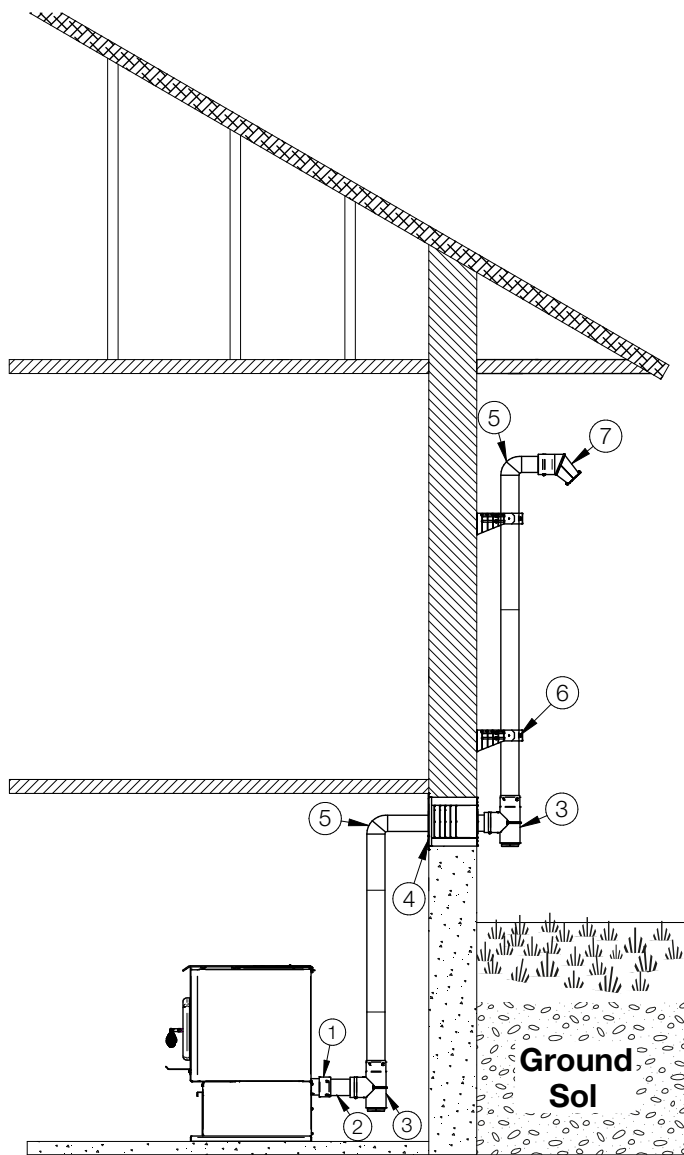
Brûler des combustibles solides génère du monoxyde de carbone en faible concentration. À des concentrations plus élevées, **le monoxyde de carbone est toxique et peut causer la mort**. Afin d'éviter un empoisonnement, **le système d'évent doit être étanche**. Tous les joints doivent être scellés avec un scellant à haute température et fixés avec au moins 3 vis autoperçantes no 8 x 1/2 po.

L'installation suivante est à titre indicatif et peut ne pas correspondre exactement à votre type d'installation.

Positionnement de l'appareil: Placez l'appareil à l'endroit désiré conformément aux instructions du fabricant et aux spécifications en matière de dégagement. Installez un connecteur pour poêle **(1)** en commençant par appliquer un scellant à haute température sur la buse du poêle puis fixez l'adaptateur pour poêle avec au moins 3 vis autoperçantes no 8 x 1/2 po. Installez ensuite l'agrandisseur de la même façon.

Ouverture du mur et installation d'un châssis: L'ouverture pratiquée dans le mur doit être centrée entre deux montants de cloison. Pour déterminer plus facilement la hauteur de l'ouverture, il est conseillé de pré-assembler la section coulissante **(2)** et de l'ajuster dans le connecteur **(1)** pour poêle ou dans l'agrandisseur. Installer ensuite un té **(3)** qui relira les tuyaux jusqu'au coude de 90° **(5)**. Marquez ensuite l'emplacement de l'ouverture sur le mur. Découpez l'ouverture et faites un châssis autour de l'ouverture. Voir le tableau suivant .

Ouverture brute	
Dimension du tuyau	Ouverture de châssis
4" (100 mm)	7 1/2" X 7 1/2" (190 mm x 190 mm)



Installation typique d'un système d'évent au sous-sol

Installation du passe-mur: Un passe-mur doit être utilisé lorsque le tuyau d'évacuation traverse un mur combustible. Le passe-mur **(4)** est constitué de trois parties : la plaque extérieure, la plaque intérieure ajustable et le couvercle de finition mural. Installez la plaque extérieure avec la section coulissante vers l'intérieur.

(Il est recommandé de sceller les bords extérieurs de la plaque avec un scellant hydrofuge à base de silicone.) Fixez la section coupe-feu au châssis en utilisant au moins quatre clous # 8 ou quatre vis à bois # 8 x 1-1/2 po. À partir de l'intérieur, glissez l'extension réglable sur la section du coupe-feu.

Réglez l'extension pour qu'elle arrive au ras de la plaque de finition intérieure une fois installée. Utilisez au moins trois vis auto-perçantes pour fixer la plaque intérieure ajustable du coupe-feu.

Installation du tuyau: Installez des sections de tuyau horizontales suffisamment longues afin d'excéder le mur extérieur. Installez un té **(3)** sur l'évent qui traverse le mur. Installez les sections de tuyaux verticalement le long du mur extérieur, en vous assurant de conserver un dégagement d'au moins **1 po (25 mm)** entre le mur et le tuyau d'évacuation. Fixez ensemble toutes les sections de tuyau en serrant le collier de serrage sur l'extrémité femelle du tuyau extérieur. Un support mural **(6)** doit être installé juste au-dessus du té et au moins tous les **8 pieds (2,4 m)** par la suite. Installez un coude 90° **(5)** face opposée au mur, puis fixer un chapeau d'évent en acier inoxydable **(7)**, faisant face vers le sol (un coude à 45° ou un chapeau d'évent horizontal peuvent être utilisés). Un grillage pare-étincelles doit être fixé sur le chapeau d'évent.



L'INSTALLATION D'UN GRILLAGE PARE-ÉTINCELLES SUR LA TERMINAISON DE L'ÉVENT EST OBLIGATOIRE.

INSTRUCTIONS D'ENTRETIEN

Ce système d'évent pour appareil à granules doit être entretenu par un installateur de cheminée qualifié ou par un professionnel de la ventilation. Les critères d'inspection et d'entretien doivent être conformes aux normes du bâtiment locales ou nationales, selon la norme qui a compétence en la matière. Le ramoneur devrait d'utiliser un formulaire d'inspection et prendre des notes qu'il pourra réviser avec vous.

Procédure de nettoyage

Ce système d'évacuation doit être vérifié et nettoyé tous les ans ou selon les instructions du fabricant du poêle. Cette procédure permettra d'assurer votre sécurité et elle est nécessaire pour répondre aux exigences de garantie des *tuyaux d'évacuation Vortex pour appareils à granules*. Pendant la saison de chauffage,

Le système d'évacuation doit être inspecté **au moins tous les deux mois** pour déterminer s'il y a une **accumulation de crésote**. Si c'est le cas, cette accumulation doit être éliminée pour réduire le risque d'un feu de cheminée.

Il est recommandé de nettoyer le système d'évent pour appareil à granules après chaque saison de chauffage. Pendant l'été, l'air est plus humide et avec une circulation d'air minimal le système d'évent, la crésote et/ou la suie restante dans les conduits peuvent produire un acide qui accélérera le processus de corrosion de l'acier et peut le perforer prématurément. Faites nettoyer le système d'évent par un ramoneur professionnel à l'aide d'une brosse en plastique.

INSPECTEZ RÉGULIÈREMENT LE SYSTÈME D'ÉVENT, LES JOINTS ET AUTRES PIÈCES D'ÉTANCHÉITÉ POUR ÉVITER QUE LA FUMÉE ET LES GAZ DE COMBUSTION NE S'ÉCHAPPENT

Pour nettoyer le système d'évacuation, veuillez procéder de la manière suivante :

1. Retirez le chapeau en desserrant le collier de serrage.
2. Choisissez la brosse de ramonage en plastique de la taille appropriée pour nettoyer la cheminée.
3. Dans certains cas, le nettoyage pourra nécessiter le retrait du poêle et le démontage du raccord afin d'inspecter minutieusement et de nettoyer les pièces qu'il est impossible d'atteindre autrement.
4. Inspectez et nettoyez le chapeau de cheminée en desserrant le collier de serrage. Des pare-étincelles et d'autres grilles peuvent être nécessaires ou obligatoires dans certaines régions, mais peuvent être obstrués par des cendres volantes ou par l'humidité qui gèle dans des régions où la température ambiante est basse.
5. Réinstallez le chapeau de cheminée.
6. Avant d'utiliser le poêle pour faire un premier feu, consultez les instructions d'utilisation de l'appareil.

Le système d'évent doit être maintenu en bon état et bien entretenu.

SI UNE COUCHE IMPORTANTE DE CRÉOSOTE S'EST ACCUMULÉE (3 MM (1/8") OU PLUS), ELLE DOIT ÊTRE ENLEVÉE IMMÉDIATEMENT POUR ÉLIMINER LES RISQUES DE FEU DE CHEMINÉE.

Faire face à un feu de cheminée

- Évacuer les membres de la famille et les animaux du bâtiment, puis, téléphoner au service d'incendie.
- Éteindre l'appareil. **Ne pas débrancher !**
- Si possible, utiliser un extincteur chimique, du bicarbonate de soude ou du sable pour maîtriser l'incendie. Ne pas utiliser de l'eau, car cela pourrait provoquer des explosions de vapeur dangereuses.
- Ne pas utiliser l'appareil jusqu'à ce que le système d'évent ainsi que l'appareil aient été inspectés par un ramoneur qualifié ou un inspecteur du service d'incendie.

Cendres volantes et suie

Les produits de combustion contiennent de petites particules de cendres volantes. Des cendres volantes peuvent s'accumuler particulièrement dans les sections horizontales de tuyau d'évacuation et restreindre la circulation des gaz de combustion. La combustion incomplète produite lors du démarrage, de l'arrêt ou la mauvaise utilisation de l'appareil entraînera une formation de suie qui peut s'accumuler dans le système d'évacuation.

GARANTIE LIMITÉE À VIE VORTEX

La garantie du fabricant ne s'applique qu'à l'acheteur original et n'est pas transférable. Sous réserve des limites et exclusions mentionnées, le fabricant garantit que ses produits sont exempts de défauts du matériel et de fabrication. Cette garantie assure seulement le remplacement des composants du système d'évent à granules qui s'avéreraient défectueux sur une installation résidentielle. La présente garantie sera nulle et sans effet si le système d'évent à granules est utilisé à une fin autre que celle à laquelle il est destiné. Cette garantie a préséance sur toute autre garantie de quelque nature que ce soit.

Conditions de garantie

La garantie du système d'évent à granules et de ses composants est soumise aux conditions suivantes :

1. Les produits achetés à l'état neuf avec preuve d'achat seulement;
2. Les produits doivent avoir été achetés chez un détaillant autorisé de SBI;
3. Installé conformément aux instructions d'installation du fabricant et les codes du bâtiment locaux et nationaux;
4. Utilisation résidentielle normale avec un appareil de chauffage aux granules (poêle, encastrable ou fournaise) homologué par un laboratoire accrédité;
5. Le tuyau à granules est conçu pour fonctionner à une température continue de 260°C (500°F) ou moins;
6. Le système d'évent à granules doit être nettoyé et inspecté sur une base annuelle par un professionnel selon un intervalle maximum de 12 mois, débutant à la date d'installation et tout au long de la période de garantie. Les reçus confirmant qu'une maintenance a été effectuée doivent être conservés;
7. Les produits couverts par cette garantie doivent avoir été fabriqués après la date de révision indiquée à la page couverture de ce document;
8. Le système d'évent doit avoir un chapeau ou une terminaison;
9. Ne couvre pas les composants ou pièces d'un autre fabricant.

Application de la garantie en cas de remplacement :

Années	Pièces	Main d'oeuvre
Années 1 à 10 ¹	100% (100% du prix d'achat effectif au moment du remplacement)	n/a
Années 11-15 ¹	50% (rabais de 50% sur le prix d'achat effectif au moment du remplacement)	n/a
Années 16 ¹	25% (rabais de 25% sur le prix d'achat effectif au moment du remplacement)	n/a

¹ À compter de la date d'achat.

Le fabricant peut, à sa discrétion, se décharger de toutes ses obligations en ce qui concerne la présente garantie en remboursant au consommateur le prix de détail de la facture originale pour toute pièce défectueuse sous garantie ou en fournissant gratuitement au détaillant toute pièce défectueuse sous garantie.

Exclusions de garantie:

- Les frais de main d'œuvre et d'installation;
- Les produits qui ont été modifiés, altérés ou réparés depuis leur expédition de l'usine;
- Tous produits déplacés de leur emplacement original;
- Toutes pièces qui ne sont pas en acier inoxydable ou galvanisé et qui sont installées ou raccordées au système de cheminée et d'évents;
- Les dommages (aux produits, appareils ou structure) résultant d'un usage abusif, d'une mauvaise installation, d'un manque d'entretien, d'une mauvaise inspection ou toute autre négligence d'utilisation;
- Les dommages accessoires ou collatéraux dus à la fumée, au feu, inondation, vents violents, catastrophes naturelles, ou toute autre éventualité hors de notre contrôle;
- L'utilisation de nettoyeurs chimiques de cheminées ou produits chimiques inadéquats annule la présente garantie;
- L'utilisation de carburants solides autres que les granules de bois, à moins que le fabricant ait expressément autorisé par écrit l'utilisation avec ce tuyau avec un autre type de combustible granulé;

Réclamation

Si des pièces sont défectueuses, communiquez immédiatement avec votre détaillant de SBI. Avant d'appeler, ayez en main les renseignements suivants pour le traitement de votre réclamation sous garantie:

- *Votre nom, adresse et numéro de téléphone;*
- *Le modèle des composants d'événements tel qu'indiqué sur l'étiquette de certification ou feuillet d'instruction;*
 - *La facture et le nom du détaillant;*
- *La nature du défaut et tout renseignement important.*

Avant d'expédier une pièce défectueuse au fabricant, vous devez obtenir un numéro d'autorisation de retour. Des preuves d'entretien, photos et autres pièces justificatives peuvent être requises. Toute marchandise expédiée au fabricant sans autorisation sera automatiquement refusée et retournée à l'expéditeur.

Distribué par:

Fabricant de poêles International inc.
250, rue de Copenhague,
St-Augustin-de-Desmaures (Québec) Canada
G3A 2H3
418-908-8002
tech@sbi-international.com