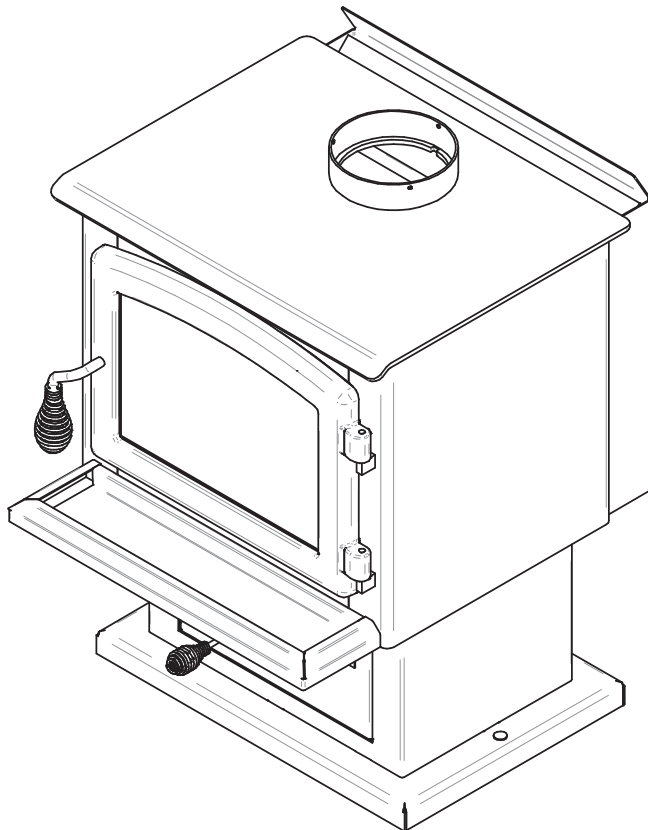




Installation and Operation Manual SAVANNAH

(DB03029 model)



Distributed by
My Fireplace Australia PTY Ltd
www.myfireplaceaustralia.com.au

20 Auto Way
Pakenham, Victoria 3810 AUSTRALIA
Phone: 03 59 415 008
Fax: 03 59 415 975
Email: info@myfireplaceaustralia.com.au



This manual is available for free download on the distributor's web site. It is a copyrighted document. Re-sale is strictly prohibited. The distributor may update this manual from time to time and cannot be responsible for problems, injuries, or damages arising out of the use of information contained in any manual obtained from unauthorized sources.

CONTACT LOCAL BUILDING OR FIRE OFFICIALS ABOUT RESTRICTIONS AND INSTALLATION INSPECTION REQUIREMENTS IN LOCAL AREA.

READ THIS ENTIRE MANUAL BEFORE INSTALLATION AND USE OF THIS WOOD STOVE. FAILURE TO FOLLOW THESE INSTRUCTIONS COULD RESULT IN PROPERTY DAMAGE, BODILY INJURY OR EVEN DEATH.

READ AND KEEP THIS MANUAL FOR REFERENCE

THANK YOU FOR CHOOSING THIS WOOD FIRE.

If this wood fire is not installed properly, heat sensitive materials near it may overheat and catch fire.

To reduce the risk of fire, follow the installation instructions in this manual.

We want to congratulate you on your purchase and wish to help you get maximum satisfaction from your wood fire. In the pages that follow, we will give you advice on wood heating and controlled combustion as well as technical specifications regarding installation, operation and maintenance of the model you have chosen.

The instructions pertaining to the installation of your wood fire comply with AS/NZS 4012/4013 (2014) and AS/NZS 2918:2001 standards.

Please read this entire manual before you install and use your new wood fire. Failure to follow instructions may result in property damage, bodily injury, or even death. It is important that you follow the installations guidelines exactly.

Consult your local city, borough or shire council about restrictions and installations requirements in your area and the need to obtain a permit.

KEEP THIS INSTRUCTION MANUAL FOR FUTURE REFERENCE.

Dealer:	_____

Installer:	_____

Phone Number:	_____

Serial Number:	_____

TABLE OF CONTENTS

PART A - OPERATION AND MAINTENANCE	7
1 Safety Information.....	7
2 General Information	8
2.1 Specifications	8
2.2 Dimensions	9
2.2.1 Combustion Chamber Dimensions.....	10
2.3 Zone Heating and How to Make it Work for You.....	11
2.4 The Benefits of Low Emissions and High Efficiency	11
2.5 DROLET Commitment to You and the Environment	11
2.5.1 What is Your New Wood fire Made Of?	11
3 Fuel	12
3.1 Materials That Should Not be Burned.....	12
3.2 How to Prepare or Buy Good Firewood	12
3.2.1 What is Good Firewood?.....	12
3.2.2 Tree Species	12
3.2.3 Log Length	13
3.2.4 Piece Size.....	13
3.2.5 How to Dry Firewood	14
3.2.6 Judging Firewood Moisture Content.....	14
3.2.7 Manufactured Logs.....	15
4 Operating Your Wood fire	15
4.1 The Use of a Fire Screen	16
4.2 Using a Blower	16
4.3 Your First Fires.....	17
4.4 Lighting Fires.....	17
4.4.1 Conventional Fire Starting	17
4.4.2 The Top Down Fire.....	18
4.4.3 Two Parallel Logs	18
4.4.4 Using Fire Starters.....	18
4.5 Maintaining Wood Fires	18
4.5.1 General Advice	18
4.5.2 Ash Removal	19
4.5.3 Raking Charcoal	19
4.5.4 Firing Each New Load Hot.....	20
4.5.5 Turning Down the Air Supply	20

4.5.6	Turning down the Air Supply	20
4.6	Building different fires for different needs	20
4.6.1	Small Fires to Take the Chill Off the House	21
4.6.2	Long lasting Low Output Fires	21
4.6.3	High Output Fires for Cold Weather	21
4.6.4	Maximum Burn Cycle Times	21
4.6.5	North-South Fires Versus East-West Fires	22
5	Maintaining Your Wood Heating System	22
5.1	Wood fire Maintenance.....	22
5.1.1	Plated Finish Maintenance.....	22
5.1.2	Cleaning Door Glass	22
5.2	Glass Door	23
5.2.1	Cleaning	23
5.2.2	Replacement.....	23
5.2.3	Replacing the glass gasket and/or the glass.....	24
5.3	Door	25
5.3.1	Door Adjustment	25
5.3.2	Replacing the Door Gasket	26
5.3.3	Cleaning and Painting the Wood fire	26
5.4	Flue and Flue System Maintenance	26
5.4.1	Why Flue System Cleaning is Necessary	26
5.4.2	How Often Should You Clean the Flue System?.....	26
5.4.3	Cleaning the Flue System.....	27
	PART B – INSTALLATION	28
6	Safety Information.....	28
6.1	Summary of Installation Cautions and Warnings.....	28
6.2	Regulations Covering Wood fire Installation	29
7	Clearances to Heat-Sensitive Materials.....	30
7.1	Location of the Certification Label.....	30
7.2	Clearances to Walls and Ceiling	30
7.3	Floor Protector	31
7.4	Reducing Wall and Ceiling Clearances Safely	31
8	The Flue System	33
8.1	General	33
8.2	Suitable Chimneys	33

8.2.1	Factory built Insulated Flue Kits	33
8.2.2	Masonry Flue Systems	34
8.3	Minimum Flue System Height.....	34
8.4	The Relationship Between the Flue System and the House	35
8.4.1	Why Inside Flue Systems are Preferred	35
8.4.2	Why the Flue System Should Penetrate the Highest Heated Space	36
8.5	Installing the flue Connector	36
	Appendix 1: INSTALLING THE OPTIONAL FRESH AIR INTAKE KIT INSTALLATION	38
	Appendix 2: OPTIONAL THERMODISC INSTALLATION.....	39
	Appendix 3: OPTIONAL FIRE SCREEN INSTALLATION	40
	Appendix 4: AIR TUBES AND BAFFLE INSTALLATION	41
	Appendix 5: Exploded Diagram and Parts List.....	43
	DROLET Limited Lifetime Warranty.....	48

PART A - OPERATION AND MAINTENANCE

Please see Part B for installation instructions.

1. Safety information

- **HOT WHILE IN OPERATION, KEEP CHILDREN, CLOTHING AND FURNITURE AWAY. CONTACT MAY CAUSE SKIN BURNS. GLOVES MAY BE NEEDED FOR WOOD FIRE OPERATION.**
- Using a wood fire with cracked or broken components, such as glass or firebricks or baffles may produce an unsafe condition and may damage the wood fire.
- Open the air control fully before opening firing door.
- Operate only with door fully closed. if door is left partly open, gas and flame may be drawn out of the opening, creating risks from both fire and smoke.
- This wood fire is not designed to be used with the door open. the door may be open only during lighting procedures or reloading. do not leave the wood fire unattended when the door is slightly opened during ignition. always close the door after ignition.
- **NEVER USE GASOLINE, GASOLINE-TYPE LANTERN FUEL (NAPHTHA), FUEL OIL, MOTOR OIL, KEROSENE, CHARCOAL LIGHTER FLUID, OR SIMILAR LIQUIDS OR AEROSOLS TO START OR 'FRESHEN UP' A FIRE IN THIS WOOD FIRE.KEEP ALL SUCH LIQUIDS OR AEROSOLS WELL AWAY FROM THE WOOD FIRE WHILE IT IS IN USE.**
- Do not connect to any air distribution duct or system.
- Do not store fuel within heater minimum installation clearances.
- Burn only seasoned natural firewood.
- The use of some types of preservative-treated wood as a fuel can be hazardous.
- **DO NOT BURN:**
 - garbage of any kind,
 - coal or charcoal,
 - treated, painted or coated wood,
 - plywood or particle board,
 - fine paper, colored paper or cardboard,
 - salt water driftwood, or
 - railroad ties.
- Do not elevate the fire by using a grate in this wood fire.
- This appliance should be maintained and operated at all times in accordance with these instructions.

2. General Information

2.1 Specifications

Model #	Savannah (DB03029)
Colour	Metallic Black
Combustible	Hardwood
Recommended heating area*	160 m ²
Test Standard (safety)	AS/NZS 2918 (2001)
Test Standards (emissions)	AS/NZS 4012/4013/4014.1 (2014)
Optimum efficiency – hardwood	63%
Average efficiency – hardwood	60%
Average emissions – hardwood	1.2 g/kg
Average peak power – hardwood	6.8 kW
Maximum average power - hardwood	9.0 kW
Type of blower	100 CFM blower with variable speed control
Burn Time*	5-6 hours
Flue Spigot Diameter	152 mm
Flue system	Triple skin flue system with Deco-Mesh
Minimum Flue Height (from floor protector)	4.6 meters
Steel thickness (top)	8 mm
Ceramic glass thickness	5 mm
Maximum Log Length	435 mm sideways**
Log loading	Sideways**
Firebox Volume	0,049 m ³
Shipping Weight	157 kg
Baffle Material	Vermiculite

* *Burn time and heating capacity may vary subject to location in home, flue system draft, flue system diameter, locality, heat loss factors, climate, fuels and other variables.*

** *Sideways: through the door you see the sides of the logs.*

2.2 Dimensions

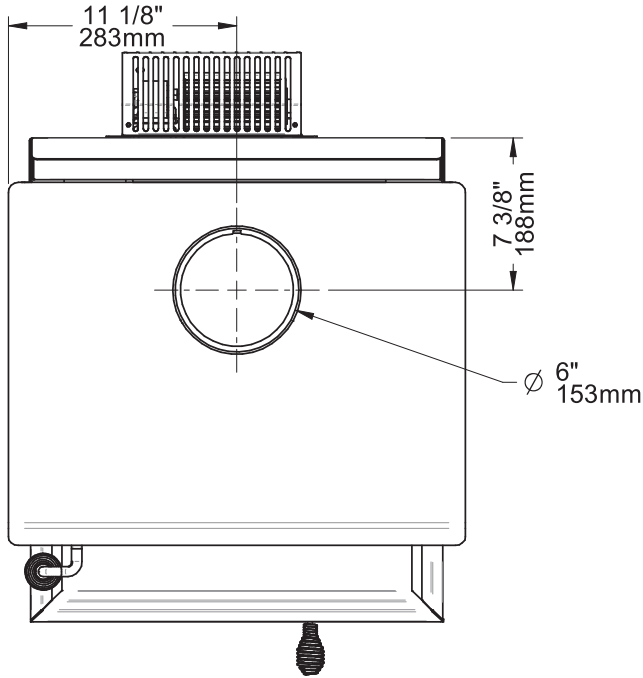


Figure 1: Top view

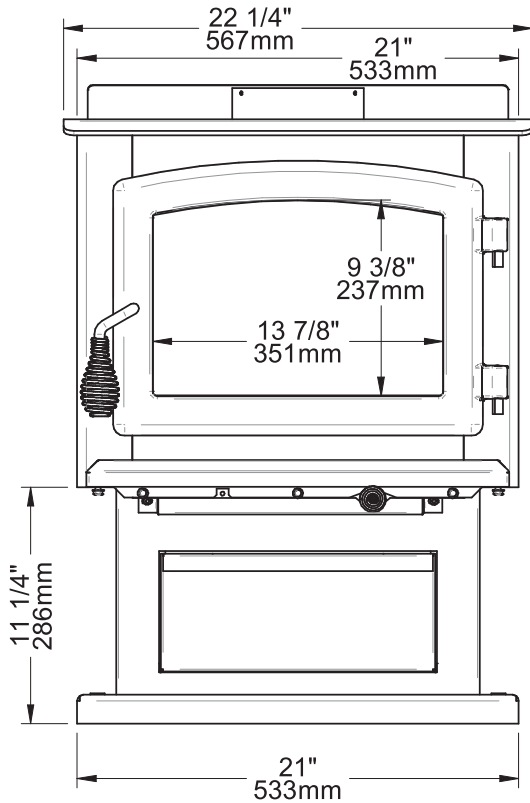


Figure 2: Front view

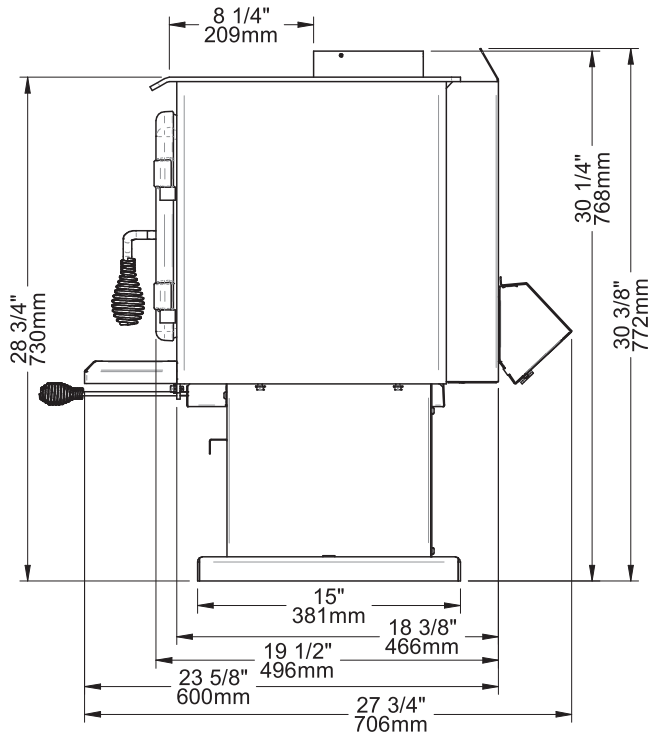


Figure 3: Side view

2.2.1 Combustion Chamber Dimensions

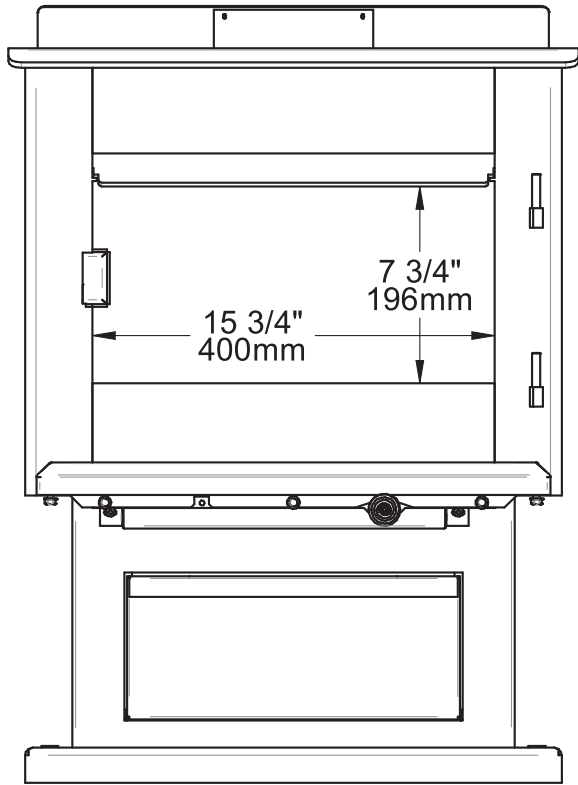


Figure 4: Door opening

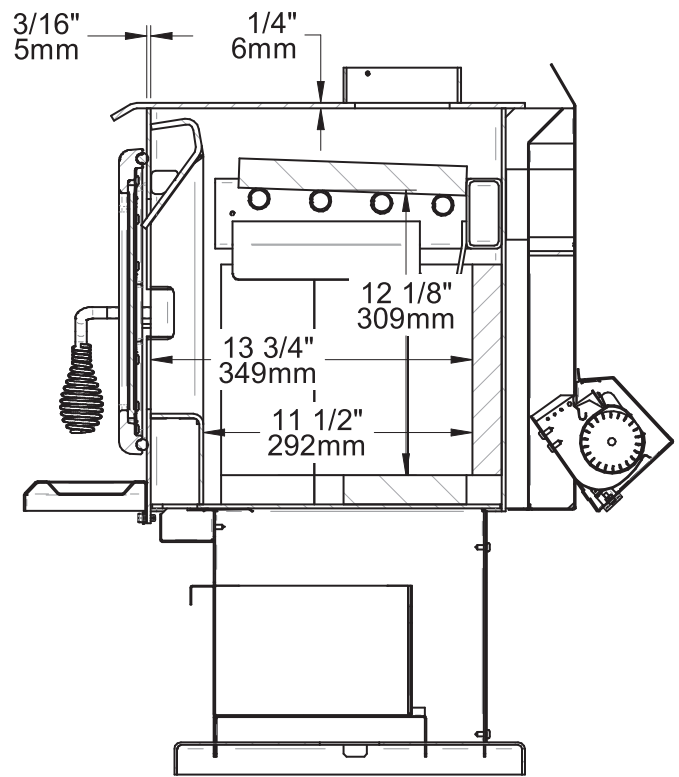


Figure 5: Front view - Combustion chamber

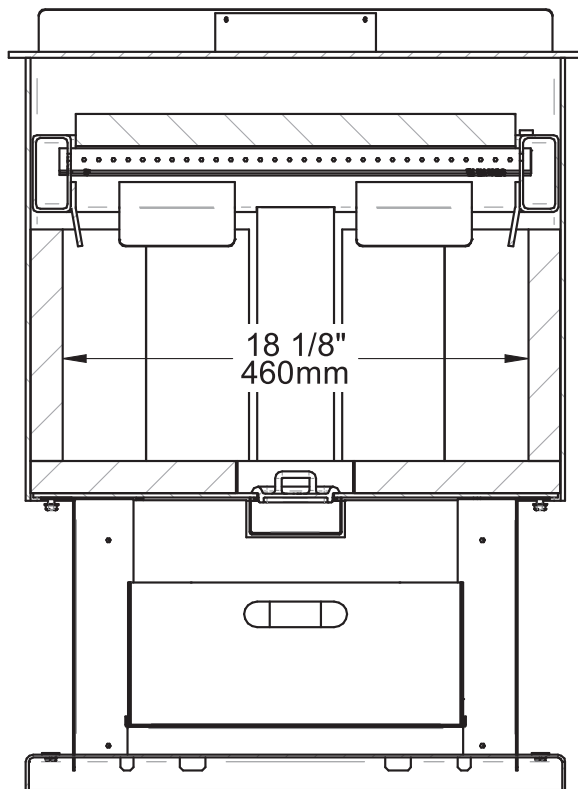


Figure 6: Front view - Combustion chamber

Figure 7: Side view

2.3 Zone Heating and How to Make it Work for You

Your new Savannah wood fire is a space heater, which means it is intended to heat the area it is installed in, as well as spaces that connect to that area, although to a lower temperature. This is called zone heating and it is an increasingly popular way to heat homes or spaces within homes.

Zone heating can be used to supplement another heating system by heating a particular space within a home, such as a basement family room or an addition that lacks another heat source.

Although the wood fire may be able to heat the main living areas of your house to an adequate temperature, we strongly recommend that you also have a conventional oil, gas or electric heating system to provide backup heating.

Your success with zone heating will depend on several factors, including the correct sizing and location of the wood fire, the size, layout and age of your home and your climate zone. Three-season vacation homes can usually be heated with smaller wood fires than houses that are heated all winter.

2.4 The Benefits of Low Emissions and High Efficiency

The low smoke emissions produced by the special features inside the Osburn 2300 firebox mean that your household will release up to 90 percent less smoke into the outside environment than if you used an older conventional wood fire. But there is more to the emission control technologies than protecting the environment.

The smoke released from wood when it is heated contains about half of the energy content of the fuel. By burning the wood completely, your wood fire releases all the heat energy from the wood instead of wasting it as smoke up the flue system. Also, the features inside the firebox allow you to reduce the air supply to control heat output, while maintaining clean and efficient flaming combustion, which boosts the efficient delivery of heat to your home.

The emission control and advanced combustion features of your wood fire can only work properly if your fuel is in the correct moisture content range of 15 to 20 percent. See Section 3 of this manual for suggestions on preparing fuelwood and judging its moisture.

2.5 Drolet's Commitment to You and the Environment

The Drolet team is committed to protecting the environment, so we do everything we can to use only materials in our products that will have no lasting negative impact on the environment.

2.5.1 *What is This Wood fire Made Of?*

The **baffle** is made of vermiculite compressed with a binder to form a rigid board. Vermiculite can withstand temperatures above 2,000°F. It is not considered hazardous waste. Disposal at a waste management center is recommended.

The **paint coating** on your wood fire is very thin. Its VOC content (Volatile Organic Components) is very low. VOCs can be responsible for smog, so all the paint used during the manufacturing process meets the latest air quality requirements with regards to VOC reduction or elimination.

The **air tubes** are stainless steel, which can also be recycled.

The **baffle** is made of vermiculite compressed with a binder to form a rigid board. Vermiculite can withstand temperatures above 2,000°F. It is not considered hazardous waste. Disposal at a waste management center is recommended.

Firebrick is mainly composed of silicon dioxide, also known as silica, an earth derived product. It is most commonly found in nature in the form of sand and clay. Disposal at a landfill is recommended.

The door and glass **gaskets** are fibreglass which is spun from melted sand. Black gaskets have been dipped into a solvent-free solution. Disposal at a landfill is recommended.

The door **glass** is a 5 mm thick ceramic material that contains no toxic chemicals. It is basically made of raw earth materials such as sand and quartz that are combined in such a way to form a glass at high temperatures. Ceramic glass will not re-melt in the same way as normal glass, so it should not be recycled with your regular household products. Disposal at a landfill is recommended.

3. Fuel

3.1 MATERIALS THAT SHOULD NOT BE BURNED

- **MATERIALS THAT SHOULD NOT BE BURNED**
- **GARBAGE OF ANY KIND,**
- **COAL OR CHARCOAL,**
- **TREATED, PAINTED OR COATED WOOD,**
- **PLYWOOD OR PARTICLE BOARD,**
- **FINE PAPER, COLORED PAPER OR CARDBOARD,**
- **SALT WATER DRIFTWOOD,**
- **MANUFACTURED LOGS CONTAINING WAX OR CHEMICAL ADDITIVES,**
- **RAILROAD TIES,**
- **LIQUIDS SUCH AS KEROSCENE OR DIESEL FUEL TO START A FIRE.**

3.2 How to Prepare or Buy Good Firewood

3.2.1 *What is Good Firewood?*

Good firewood has been cut to the correct length for the wood fire, split to a range of sizes and stacked in the open until its moisture content is reduced to 15 to 20 per cent.

3.2.2 *Tree Species*

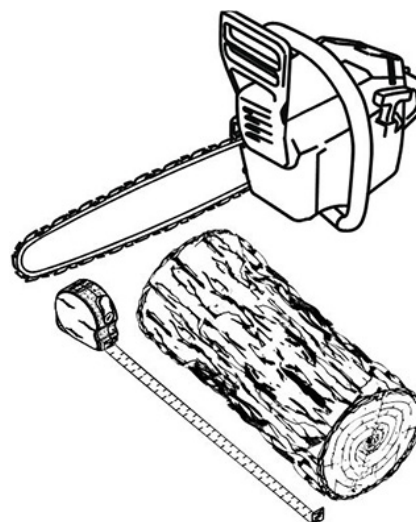
The tree species the firewood is produced from is less important than its moisture content. The main difference in firewood from various tree species is the density of the wood. Hardwoods such as gums, Manuka or ironbark are denser than softwoods. Hard wood will produce long-lasting coal beds combined to more heat and longer burn cycles.

Old, leaky cast iron wood fires wouldn't hold a fire overnight unless they were fed large pieces of hardwood. That is no longer true. You can successfully heat your home by using less wood and give the forest a break at the same time.

3.2.3 Log Length

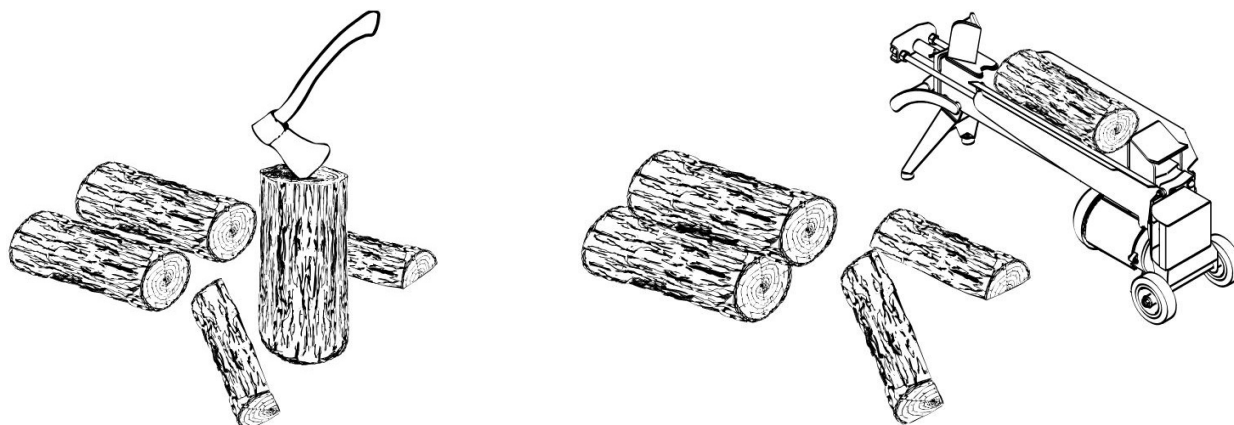
Logs should be cut about 25 mm (1") shorter than the firebox so they fit in easily. Pieces that are slightly too long make loading the wood fire very difficult. The most common standard length of firewood is 400 mm (16").

The pieces should be a consistent length, with a maximum of 25 mm (1") variation from piece to piece.



3.2.4 Piece Size

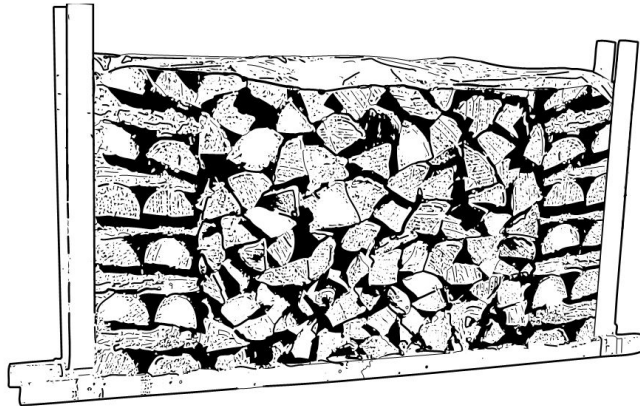
Firewood dries more quickly when it is split. Large unsplit rounds can take years to dry enough to burn. Even when dried, unsplit logs are difficult to ignite because they don't have the sharp edges where the flames first catch. Logs as small as 75 mm (3") should be split to encourage drying.



Wood should be split to a range of sizes, from about 75 mm to 150 mm (3" to 6") in cross section. Having a range of sizes makes starting and rekindling fires much easier. Often, the firewood purchased from commercial suppliers is not split finely enough for convenient stoking. It is sometimes advisable to resplit the wood before stacking to dry.

3.2.5 How to dry firewood

Firewood that is not dry enough to burn is the cause of most complaints about wood fires. The complaints usually involve a lack of heat and dirty door glass.

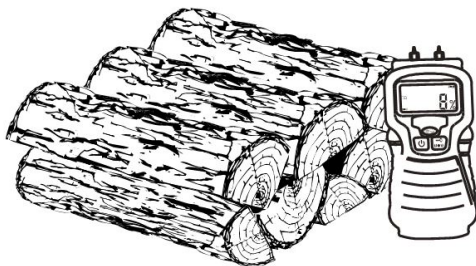


Here are some facts to consider in estimating drying time:

- Firewood takes a long time to dry;
- Firewood bought from a dealer is rarely dry enough to burn, so it is advisable to buy the wood in spring and dry it yourself;
- Drying happens faster in dry weather than in damp, maritime climates;
- Drying happens faster in warm summer weather than in winter weather;
- Small pieces dry more quickly than large pieces;
- Split pieces dry more quickly than unsplit rounds;
- Softwoods take less time to dry than hardwoods;
- Hardwoods like gums, Manuka and ironbark can take one, or even two years to dry fully, especially if the pieces are big;
- Firewood dries more quickly when stacked in the open where it is exposed to sun and wind; it takes much longer to dry when stacked in a wood shed;
- Firewood that is ready to burn has a moisture content between 15 and 20% by weight and will allow your wood fire to produce its highest possible efficiency.

3.2.6 Judging firewood moisture content

You can find out if some firewood is dry enough to burn by using these guidelines:

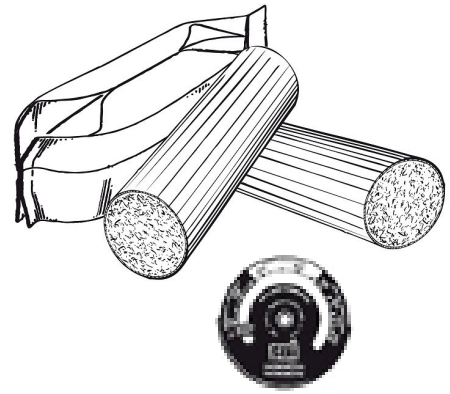


- Cracks form at the ends of logs as they dry;
- As it dries in the sun, the wood turns from white or cream coloured to grey or yellow;
- Bang two pieces of wood together; seasoned wood sounds hollow and wet wood sounds dull;
- Dry wood is much lighter in weight than wet wood;
- Split a piece, and if the fresh face feels warm and dry it is dry enough to burn; if it feels damp, it is too wet;
- Burn a piece; wet wood hisses and sizzles in the fire and dry wood does not.

You could buy a wood moisture meter to test your firewood.

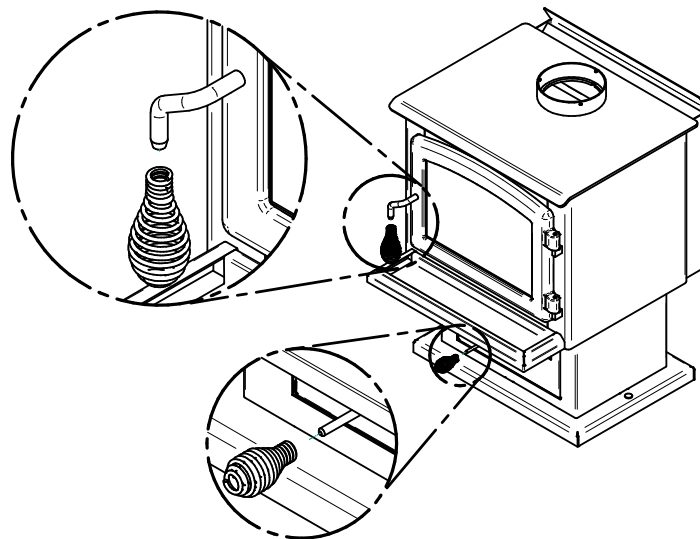
3.2.7 Compressed Wood Logs

Do not burn manufactured logs made of wax impregnated sawdust or logs with any chemical additives. Manufactured logs made of 100% compressed sawdust can be burned, but use caution in the number of these logs burned at one time. Start with one manufactured log and see how the wood fire reacts. You can increase the number of logs burned at a time to making sure the temperature never rises higher than 246°C (475°F) on a magnetic thermometer for installation on wood fire flue. The thermometer should be placed about 450 mm (18") above the wood fire. Higher temperatures can lead to overheat and damage your wood fire.



4. Operating Your Wood fire

Before using the stove, install the coil handles located in the user manual kit.



The following steps are optional :

- Install the fresh air intake (see [«Appendix 1: Optional Fresh Air Intake Kit Installation»](#)).
- Install the thermodisc (see [«Appendix 2: Optional Thermodisc Installation»](#))
- **NEVER OVERFIRE YOUR WOOD FIRE. IF ANY PART OF THE WOOD FIRE STARTS TO GLOW RED, OVER FIRING IS HAPPENING. READJUST THE AIR INTAKE CONTROL AT A LOWER SETTING.**
- **NEVER LOAD YOUR WOOD FIRE UP TO THE BAFFLE. ALWAYS LEAVE 5 TO 10 CENTIMETERS TO ALLOW PROPER COMBUSTION THROUGH SECONDARY AIR OPENINGS (NEVER PUT WOOD ABOVE THE FIREBRICK LINING ON THE FIREBOX). THIS WILL ALSO PREVENT OVERFIRING OF YOUR WOOD FIRE.**
- **SHOULD THERE BE A SOOT OR CREOSOTE FIRE IN YOUR FLUE SYSTEM, CLOSE THE AIR CONTROL COMPLETELY. IMMEDIATELY CALL THE FIRE DEPARTMENT.**

4.1 The Use of a Fire Screen

This stove has been tested for use with an open door in conjunction with a fire screen, sold separately. The fire screen must be properly secured on the stove to avoid any risk of sparks damaging the flooring. When the fire screen is in use, do not leave the stove unattended to respond promptly in the event of smoke spillage into the room. Potential causes of smoke spillage are described in Section [«8. The Venting System»](#) of this manual. See [«Appendix 3: Optional Fire Screen Installation»](#) for installation instructions.

Operating the stove with a fire screen increases possibilities of generating carbon monoxide. Carbon monoxide is an odourless gas that is highly toxic which can cause death at high concentration in air. Installation of a carbon monoxide detector is highly recommended.

4.2 Using a Blower

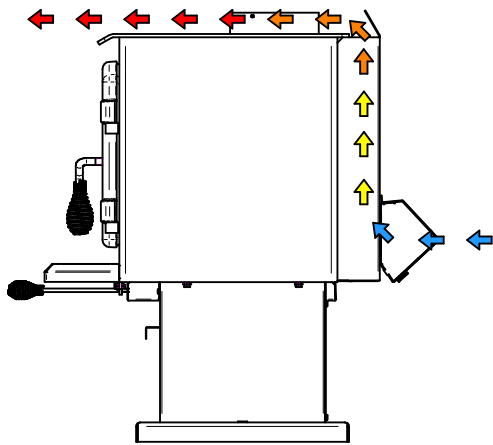


Figure 8: Air flow with a blower

A blower is included with this stove. The blower is already installed at the back of the stove, the power cord can be found in the user manual bag. The blower is used to increase the airflow through the heat exchanger and improve hot air circulation in the room.

When used regularly, the blower can provide a small increase in efficiency, up to 2%. However, the use of a blower should not be used as a way to gain more output from a stove that is undersized for the space it is intended to heat.



Ensure the blower cord is not in contact with any surface of the wood fire to prevent electrical shock or fire damage. Do not run cord beneath the wood fire.

The blower has a variable speed control that can be adjusted in three different positions; either from high (HI) to low (LO) or closed (OFF). Allow the stove to reach operating temperature (approximately one hour) before turning on the blower, since increased airflow from the blower will remove heat and affect the start up combustion efficiency.

The blower can also be equipped with a heat sensor, sold separately. When the blower is ON, it will start automatically when the wood fire is hot enough and it will stop when the wood fire has cooled down. Therefore, the blower speed control can be left at the desired setting. See [«Appendix 1: Optional Fresh Air Intake Kit Installation»](#).

When the blower is on (position between HI and LO), the heat sensor will make the blower start automatically when the stove is hot enough and will stop it when the stove has cooled down.

Therefore, the blower speed control can be left at the desired setting.

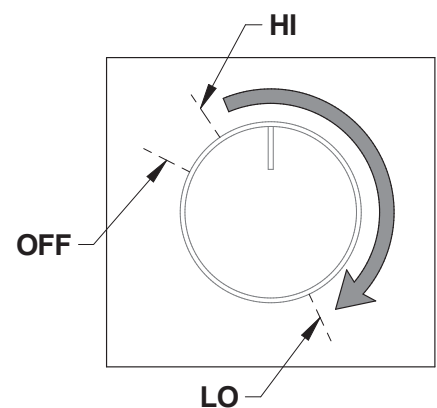


Figure 9: Blower rheostat

4.3 Your first fires

Two things will happen as you burn your first few fires; the paint cures and the internal components of the wood fire are conditioned.

As the paint cures, some of the chemicals vaporize. The vapors are not poisonous, but they do smell bad. Fresh paint fumes can also cause false alarms in smoke detectors. So, when you first light your wood fire, be prepared by opening doors and/or windows to ventilate the house. As you burn hotter and hotter fires, more of the painted surfaces reach the curing temperature of the paint. The smell of curing paint does not disappear until you have burned one or two very hot fires.

Burn one or two small fires to begin the curing and conditioning process. Then build bigger and hotter fires until there is no longer any paint smell from the wood fire. Once the paint smell disappears, your wood fire is ready for serious heating.

4.4 Lighting fires

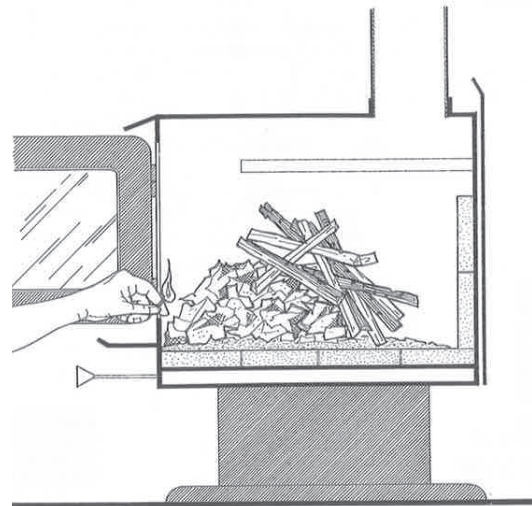
Each person who heats with wood develops their own favorite way to light fires. Whatever method you choose, your goal should be to get a hot fire burning quickly. A fire that starts fast produces less smoke and deposits less creosote in the flue system. Here are three popular and effective ways to start wood fires.

4.4.1 *Conventional fire starting*

The conventional way to build a wood fire is to bunch up 5 to 10 sheets of plain newspaper and place them in the firebox. Next, place 10 or so pieces of fine kindling on the newspaper. This kindling should be very thin; less than 25 mm (1"). Next, place some larger kindling pieces on the fine kindling. Open the air control fully and light the newspaper. If you have a tall, straight flue system you should be able to close the door immediately and the fire will ignite. If your flue has elbows or an outside flue system, you may need to leave the door closed but unlatched for a few minutes as the newspaper ignites and heat in the flue system produces some draft. Once the fire has ignited, close the door and leave the air control fully open.

DO NOT LEAVE THE HEATER UNATTENDED WHEN THE DOOR IS SLIGHTLY OPEN. ALWAYS CLOSE AND LATCH THE DOOR AFTER THE FIRE IGNITES.

After the kindling fire has mostly burned, you can add standard firewood pieces until you have a fire of the right size for the conditions.



A conventional kindling fire with paper under finely split wood.

4.4.2 *The Top Down Fire*

The top down fire starting method solves two problems with the conventional method: first, it does not collapse and smother itself as it burns; and second, it is not necessary to build up the fire gradually because the firebox is loaded before the fire is lit. A top down fire can provide up to two hours of heating or more. The top down method only works properly if the wood is well-seasoned.

Start by placing three or four full-sized split pieces of dry firewood in the firebox. Next, place 4 or 5 more finely split pieces of firewood (50 mm to 75 mm [2" to 3"] in dia.) on the base logs at right angles (log cabin style). Now place about 10 pieces of finely split kindling on the second layer at right angles.

The fire is topped with about 5 sheets of newspaper. You can just bunch them up and stuff them in between the kindling and the underside of the baffle. Or you can make newspaper knots by rolling up single sheets corner to corner and tying a knot in them. The advantage of knots is that they don't roll off the fire as they burn. Light the newspaper and watch as the fire burns from top to bottom.

4.4.3 *Two Parallel Logs*

Place two spit logs in the firebox. Place a few sheets of twisted newspaper between the logs. Now place some fine kindling across the two logs and some larger kindling across those, log cabin style. Light the newspaper.

4.4.4 *Using Fire Starters*

Many people like to use commercial fire starters instead of newspaper. Some of these starters are made of sawdust and wax and others are specialized flammable solid chemicals. Follow the package directions for use.

Gel starter may be used but only if there are no hot embers present. Use only in a cold firebox to start a fire.

DO NOT USE FLAMMABLE LIQUIDS SUCH AS GASOLINE, NAPHTHA, FUEL OIL, MOTOR OIL, OR AEROSOLS TO START OR REKINDLE THE FIRE.

4.5 Maintaining Wood Fires

4.5.1 *General Advice*

Wood heating with a space heater is very different than other forms of heating. There will be variations in the temperature in different parts of the house and there will be variations in temperature throughout the day and night. This is normal, and for experienced wood burners these are advantages of zone heating with wood.

Do not expect steady heat output from your wood fire. It is normal for its surface temperature to rise after a new load of wood is ignited and for its temperature to gradually decline as the fire progresses. This rising and falling of temperature can be matched to your household routines. For example, the area temperature can be cooler when you are active, such as when doing housework or cooking, and it can be warmer when you are inactive, such as when reading or watching television.

Wood burns best in cycles. A cycle starts when a new load of wood is ignited by hot coals and ends when that load has been consumed down to a bed of charcoal about the same size as it was when the wood was loaded. Do not attempt to produce a steady heat output by placing a single log on the fire at regular intervals. Always place at least three, and preferably more, pieces on the fire at a time so that the heat radiated from one piece helps to ignite the pieces next to it. Each load of wood should provide several hours of heating. The size of each load can be matched to the amount of heat needed.

When you burn in cycles, you rarely need to open the wood fire's loading door while the wood is flaming. This is an advantage because there is more chance that smoke will leak from the wood fire when the door is opened as a full fire is burning. This is especially true if the flue connector has 90 degree elbows and if the flue system runs up the outside wall of the house.

IF YOU MUST OPEN THE DOOR WHILE THE FUEL IS FLAMING, OPEN THE AIR CONTROL FULLY FOR A FEW MINUTES, THEN UNLATCH AND OPEN THE DOOR SLOWLY.

4.5.2 Ash Removal

Ash should be removed from the firebox every two or three days of full time heating. Do not let the ash build up in the firebox because it will interfere with proper fire management.

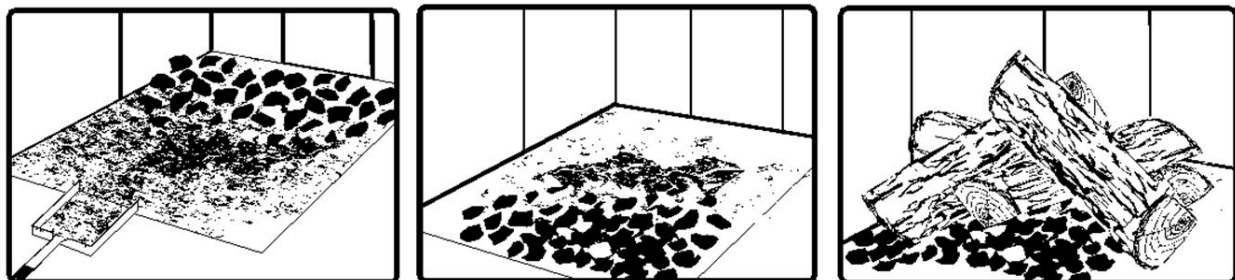
The best time to remove ash is after an overnight fire when the wood fire is relatively cool, but there is still some flue system draft to draw the ash dust into the wood fire and prevent it from coming into the room.

After ashes have been removed from the wood fire and placed in a tightly covered metal container, they should be taken outside immediately. The closed container of ashes should be placed on a non-combustible floor or on the ground well away from all combustible materials pending final disposal. Ashes normally contain some live charcoal that can stay hot for several days. If the ashes are disposed of by burial in soil or otherwise locally dispersed, they should be retained in the closed container until all cinders have thoroughly cooled. Other waste shall not be placed in this container.

NEVER STORE ASHES INDOORS OR IN A NON-METALIC CONTAINER OR ON A WOODEN DECK.

4.5.3 Raking Charcoal

Rekindle the fire when you notice that the room temperature has fallen. You will find most of the remaining charcoal at the back of the firebox, furthest from the door. Rake these coals towards the door before loading. There are two reasons for this raking of the coals. First, it concentrates them near where most of the combustion air enters the firebox and where they can ignite the new load quickly, and second, the charcoal will not be smothered by the new load of wood. If you were to simply spread the charcoal out, the new load will smoulder for a long time before igniting.



Remove ash first, and then rake charcoal towards the front of the firebox before loading so that it will ignite the new load.

4.5.4 Firing Each New Load Hot

Place the new load of wood on and behind the charcoal and not too close to the glass. Close the door and open the air control fully. Leave the air control fully open until the firebox is full of flames, the wood has charred to black and its edges are glowing red. Firing each load of wood hot accomplishes a few things:

- Drives the surface moisture from the wood,
- Creates a layer of char on the wood, which slows down its release of smoke,
- Heats the firebox components so they reflect heat back to the fire, and
- Heats the flue system so it can produce strong, steady draft for the rest of the cycle.

Although it is important to fire each new load hot, *do not allow the fire to burn at full intensity for more than a few minutes.*

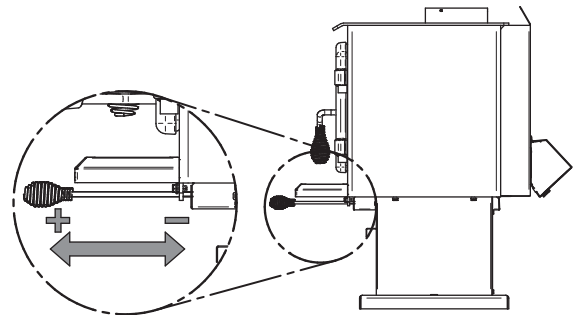
DO NOT LEAVE THE WOOD FIRE UNATTENDED WHILE A NEW LOAD IS BEING FIRED HOT.

When you burn a new load of wood hot to heat up the wood, the wood fire and the flue system, the result will be a surge of heat from the wood fire. This heat surge is welcome when the room temperature is a little lower than desirable, but not welcome if the space is already warm.

Therefore, allow each load of wood to burn down so that the space begins to cool off a little before loading. Letting the space cool before loading is one of the secrets to clean burning and effective zone heating.

4.5.5 Turning down the Air Supply

As you reduce the air supply to the fire, two important things happen. First, the firing rate slows down to spread the heat energy in the fuel over a longer period of time. Second, the flow rate of exhaust through the wood fire and flue slows down, which gives more time for the transfer of heat from the exhaust. You will notice that as you reduce the air setting, the flames slow down. This is your indication that the wood fire is burning at its peak efficiency. If the flames get small and almost disappear when you turn down the air, you have turned down the air too early, or your firewood is wetter than it should be. With good fuel and correct air control use, the flames should slow down, but should stay large and steady, even as the air supply is reduced.



4.6 Building different fires for different needs

Using the air control is not the only way to match the wood fire's heat output to the heat demand. Your house will need far less heat in April than in July to be kept at a comfortable temperature. If you fill the firebox full in fall weather, you will either overheat the space or turn the wood fire down so much that the fire will be smoky and inefficient. Here are some suggestions for building fires to match different heat demand.

4.6.1 Small Fires to Take the Chill Off the House

To build a small fire that will produce a low heat output, use small pieces of firewood and load them crisscross in the firebox. The pieces should be only 75 mm to 100 mm in diameter. After raking the coals, you can lay two pieces parallel to each other corner to corner in the firebox and lay two more across them in the other direction. Open the air control fully and only reduce the air after the wood is fully flaming. This kind of fire is good for mild weather when you are around to tend the wood fire and should provide enough heat for four hours or more. Small fires like this are a good time to use softer wood species so there will be less chance of overheating the house.

4.6.2 Long Lasting Low Output Fires

Sometimes you will want to build a fire to last up to eight hours, but don't need intense heat. In this case use smaller pieces of hardwood and place the logs compactly in the firebox so the pieces are packed tightly together. You will need to fire the load hot for long enough to fully char the log surfaces before you can turn the air down. Make sure the fire is flaming brightly before leaving the fire to burn.

4.6.3 High Output Fires for Cold Weather

When the heat demand is high during cold weather, you'll need a fire that burns steadily and brightly. This is the time to use your biggest pieces of hardwood fuel if you have it. Put the biggest pieces at the back of the firebox and place the rest of the pieces compactly. A densely built fire like this will produce the longest burn your wood fire is capable of.

You will need to be cautious when building fires like this because if the air is turned down too much, the fire could smoulder. Make sure the wood is flaming brightly before leaving the fire to burn. The wood should be positioned in a north/south fashion, that is, from the front to the back of the firebox.

4.6.4 Maximum Burn Cycle Times

The burn cycle time is the period between loading wood on a coal bed and the consumption of that wood back to a coal bed of the same size. The flaming phase of the fire lasts for roughly the first half of the burn cycle and the second half is the coal bed phase during which there is little or no flame. The length of burn you can expect from your wood fire, including both the flaming and coal bed phases, will be affected by a number of things, such as:

- Firebox size,
- The amount of wood loaded,
- The species of wood you burn,
- The wood moisture content,
- The size of the space to be heated,
- The climate zone you live in, and
- The time of year.

The table below provides a very general indication of the maximum burn cycle times you are likely to experience, based on firebox volume.

FIREBOX VOLUME	MAXIMUM BURN CYCLE TIME
< 0.042 cubic meter	3 to 5 hours
0.042 m ³ to 0.056 m ³	5 to 6 hours
0.056 m ³ to 0.071 m ³	6 to 8 hours
0.071 m ³ to 0.085 m ³	8 to 9 hours
> 0.085 m ³	9 to 10 hours

Long burn times are not necessarily an indication of efficient wood fire operation. When you are home during the day and able to tend the fire, it is preferable to build a smaller fire that might provide three or four hours of heating than to fully load the firebox for a much longer burn. Shorter burn cycles make it easier to match the heat output of the wood fire to the heat demand of the space.

4.6.5 North-South Fires Versus East-West Fires

In fireboxes that are roughly square, wood can be loaded so that looking through the glass door you see the ends of the logs (north-south) or the sides of the logs (east-west).

East-west loads that are built compactly break down slowly when heated, but the amount of wood you can load is limited because if you put in too many pieces, one may fall against the glass. Eastwest loads are excellent for long, low output fires for relatively mild weather.

North-south loads break down more quickly, but much more wood can be loaded at a time. This makes north-south loading good for high output, long lasting fires for cold weather.

5. Maintaining your wood heating system

5.1 Wood fire maintenance

Your new wood fire will give many years of reliable service if you use and maintain it correctly. Some of the internal components of the firebox, such as firebricks, baffles and air tubes, will wear over time under intense heat. You should always replace defective parts with original parts (see «[Appendix 5: Exploded Diagram and Parts List](#)»). For firing each load hot to begin a cycle as described above will not cause premature deterioration of the wood fire. However, letting the wood fire run with the air control fully open for entire cycles can cause damage over time. The hotter you run the wood fire throughout burn cycles, the more quickly its components will deteriorate. For that reason, **never leave the wood fire unattended while a new load is being fired hot.**

5.1.1 Plated finish maintenance

If your appliance has a plated finish, use a metal polish and a soft cloth to clean it. Do not use abrasives such as steel wool, steel pads or an abrasive cleaner for they may scratch the finish.

5.1.2 Cleaning door glass

Under normal conditions, your door glass should stay relatively clear. If your firewood is dry enough and you follow the operating instructions in this manual, a whitish, dusty deposit will form on the inside of the glass after a week or so of use. This is normal and can be easily removed when the wood fire is cool by wiping with a damp cloth or paper towel and then drying.

Never try to clean the glass when the wood fire is hot.

In spring and fall when the wood fire is run at lower temperatures, you may see some light brown stains forming, especially at the lower corners of the glass. This indicates that the fire has been smoky and some of the smoke has condensed on the glass. When the weather is mild, you may find that letting the fire go out is better than trying to maintain a continuous fire. Use the technique described above for building a fire to take the chill off the house.

If you do get brown stains on the glass you can remove them with special cleaners for wood fire glass doors. **Do not use abrasives to clean your wood fire's door glass.**

The deposits that form on the glass are the best indication of the quality of your fuel and how well you are doing in operating the wood fire. Your goal should be clear glass with no brown stains. If you continue to see brown stains on the glass, something about your fuel and operating procedure needs to be changed. Stains on the glass indicate incomplete combustion of the wood, which also means more smoke emissions and faster formation of creosote in the flue system.

If you see brown streaks coming from the edge of the glass, it is time to replace the gasket around the glass. Visit your wood fire retailer to get the self-adhesive glass gasket and follow the instructions below for installation.

5.2 Glass Door

5.2.1 Cleaning

Under normal conditions, the door glass should stay relatively clear. If the firewood is dry enough and the operating instructions in this manual are followed, a whitish, dusty deposit will form on the inner surface of the glass after a week or so of use. This is normal and can be easily removed when the wood fire is cold by wiping with a damp cloth or paper towel and then drying.

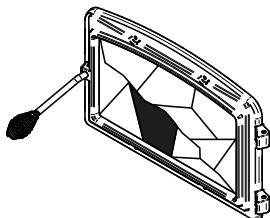
Never try to clean the glass when the wood fire is hot.

When the wood fire runs at lower temperatures, light brown stains may form, especially in the lower corners of the glass. This indicates that the fire has been smoky and some of the smoke has condensed on the glass. It also indicates incomplete combustion of the wood, which also means more smoke emissions and faster formation of creosote in the chimney. The deposits that form on the glass are the best indication of the fuel quality and success in properly using the wood fire.

The goal should be clear glass with no brown stains. If brown stains appear regularly on the glass, something about the fuel or the operating procedure needs to be changed.

These stains can be cleaned with a special wood wood fire glass cleaner. **Do not use abrasives to clean the wood fire glass.** When the weather is mild, it is often better to let the fire go out than trying to maintain a continuous fire. Use the technique described in section [«Small pieces dry more quickly than large pieces;»](#).

When brown streaks are coming from the edge of the glass, it is time to replace the gasket around the glass. The glass gasket should be self-adhesive. Follow the instructions in section [«Small pieces dry more quickly than large pieces;»](#) for installation. Always replace gaskets with genuine ones. See [«Appendix 5: Exploded Diagram and Parts List»](#).



Do not clean the glass when the wood fire is hot.

Do not abuse the glass door by striking or slamming shut.

Do not use the wood fire if the glass is broken.

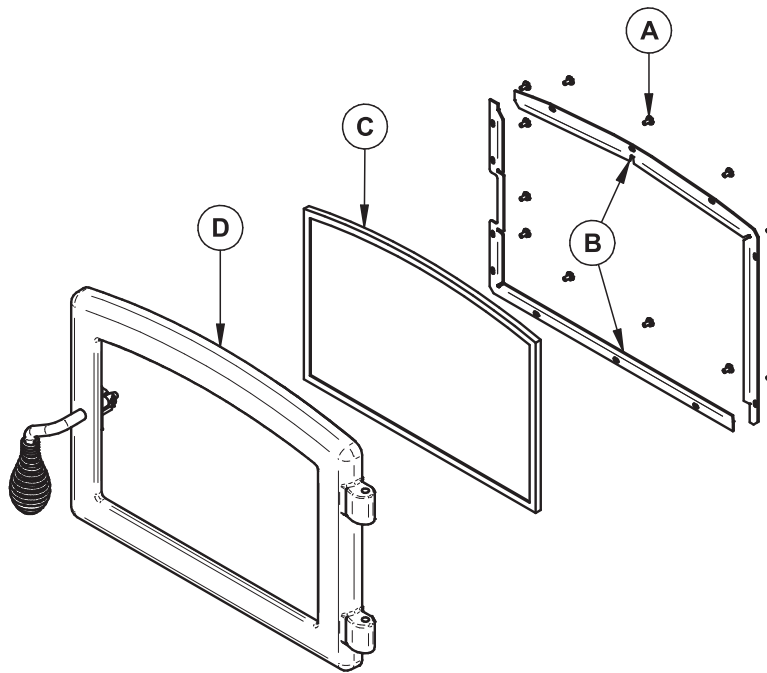
5.2.2 Replacement

The glass used is a ceramic glass, 4 mm thick with a dimension of 37 cm X 25 cm tested to reach temperatures up to 1400°F. If the glass breaks, it must be replaced with one having the same specification.

Tempered glass or ordinary glass will not withstand the high temperatures of this unit.

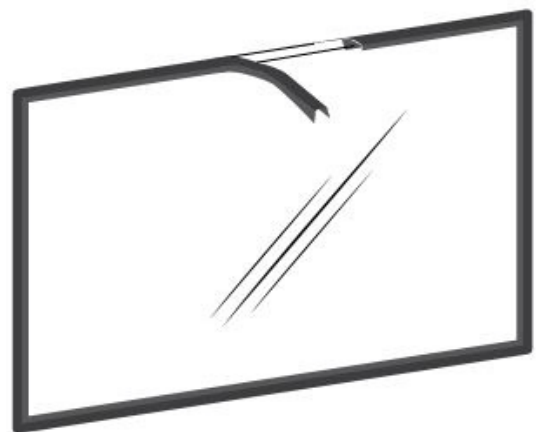
5.2.3 Replacing the glass gasket and/or the glass

It is a good idea to replace the glass gasket when the door gasket is replaced. The gasket is flat, adhesive-backed, woven fibreglass. Remove the screws (A) and glass retaining clips (B) then both glass frames (C) that hold the glass to the door frame (E). Lift out the glass (D) and pull off the old gasket. This is a good time to clean the glass thoroughly.



The gasket must be centred on the edge of the glass. To do this easily, peel back a section of the paper covering the adhesive and place the gasket on a table with the adhesive side up. Stick the end of the gasket to the middle of one edge, then press the edge of the glass down onto the gasket, taking care that it is perfectly centred on the gasket. Peel off more of the backing and rotate the glass and press the next section onto the gasket. Do not stretch the gasket as you place it. Continue until you get to the start and trim the gasket to length. Now pinch the gasket to the glass in a U shape, all around the glass. Reinstall the glass, being careful to centre the glass carefully in the door. Do not over-tighten the screws. Note that the two main causes of broken door glass are uneven placement in the door and over-tightening of retaining screws.

Do not abuse the glass door by striking or slamming shut. **DO NOT USE THE WOOD FIRE IF THE GLASS IS BROKEN.** To change the glass, perform the same operation described above.



5.3 Door

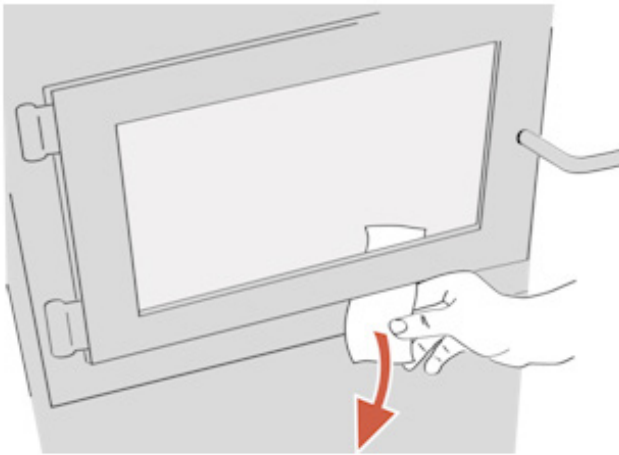


Figure 10: Door gasket seal verification

In order for the wood fire to burn at its best efficiency, the door must provide a perfect seal with the firebox. The tightness of the door seal can be verified by closing and latching the door on a strip of paper. The test must be performed all around the door. If the paper slips out easily anywhere, Either adjust the door or replace the gasket.

5.3.1 Door adjustment

In order for your wood fire to burn at its best efficiency, the door must provide a perfect seal with the firebox. Therefore, the gasket should be inspected periodically making sure to obtain an air tight fit. Airtightness can be improved with a simple latch mechanism adjustment. To adjust:

1. Remove the lock pin (spring pin) by pulling and turning it Locking pliers (vise grip).
2. Turn the handle counter clock wise one turn to increase pressure.
3. Re-install the lock pin (spring pin) with a small hammer.

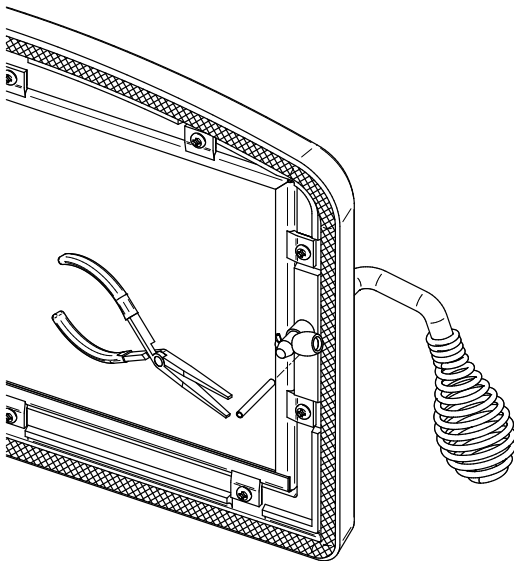


Figure 11: Removing the split pin

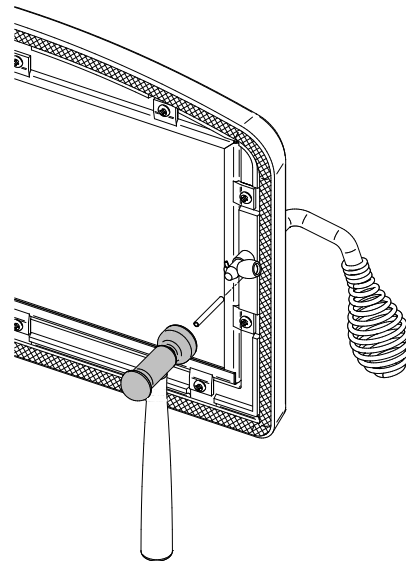


Figure 12: Installing the split pin

5.3.2 Replacing the door gasket

It is important to maintain the gasket in good condition. After a year or more of use, the door gasket will compress and become hard, which may allow air to leak past it. You can test the condition of the door gasket by closing and latching the door on a strip of paper. Test all around the door. If the paper slips out easily anywhere, it is time to replace the gasket.

Use the correct replacement gasket that you can purchase from your retailer. The diameter and density of the gasket is important to getting a good seal.

Place the door face-down on something soft like a cushion of rags or piece of carpet. Remove the old gasket from the door by pulling and prying it out with an old screw driver. Then use the screwdriver to scrape the old gasket adhesive from the door. Now run a 6 mm (1/4") bead of high temperature silicone in the door gasket groove. Starting from the middle of the hinge side, press the gasket into the groove. Do not stretch the gasket as you place it. Leave the gasket about 12 mm (1/2") long when you cut it and press the end into the groove. Tuck any loose fibres under the gasket and into the silicone. Close the door and do not use the wood fire for 24 hours.

5.3.3 Cleaning and painting the wood fire

Do not attempt to clean or paint the wood fire when the unit is hot. Painted surfaces can be wiped down with a damp cloth. Plated surfaces may be scratched by abrasive cleaners. To maintain the finish at its original brilliance, use only a damp soft cloth to clean plated surfaces.

If the paint becomes scratched or damaged, you can give your wood fire a brand new look by repainting it with heat-resistant paint. Before painting, roughen the surface with fine sand paper, wipe it down to remove dust, and apply two thin coats of paint. For best results, use the same paint that was originally used on the wood fire, which is available in spray cans. See your dealer for details.

5.4 Flue and flue system maintenance

5.4.1 Why flue system cleaning is necessary

Wood smoke can condense inside the flue and flue system, forming a combustible deposit called creosote. If creosote is allowed to build up in the flue system it can ignite when a hot fire is burned in the wood fire and a very hot fire can progress to the top of the flue system. Severe flue system fires can damage even the best flue systems. Smouldering, smoky fires can quickly cause a thick layer of creosote to form. When you avoid smouldering so the exhaust from the flue system is mostly clear, creosote builds up more slowly. Your new wood fire has the right characteristics to help you to burn clean fires with little or no smoke, resulting in less creosote in the flue system.

5.4.2 How often should you clean the flue system?

It is not possible to predict how much or how quickly creosote will form in your flue system. It is important, therefore, to check the build-up in your flue system monthly when getting used to the new wood fire until you determine the rate of creosote formation. Even if creosote forms slowly in your system, the flue system should be cleaned and inspected at least once each year.

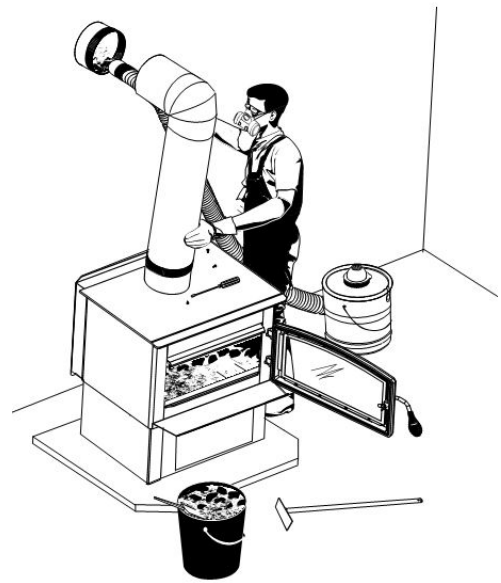
Contact your local municipal or provincial fire authority for information on how to handle a flue system fire. Have a clearly understood plan to handle a flue system fire.

5.4.3 *Cleaning the flue system*

Flue system cleaning can be a difficult and dangerous job. If you don't have experience cleaning flue systems, you might want to hire a professional flue system sweep to clean and inspect the system for the first time. After having seen the cleaning process, you can decide if it is a job you would like to take on.

The most common equipment used are fibreglass rods with threaded fittings and stiff plastic brushes. The brush is forced up and down inside the flue system to scrub off the creosote.

The flue should always be cleaned at the same time the flue system is cleaned.



CAUTION: Operation of your wood fire without the baffle may cause unsafe and hazardous temperature conditions and will void the warranty.

NOTE: Before installing the firebrick, check to ensure that none are broken or damaged in any way. If so, have the damaged ones replaced. Check the firebrick for damage at least annually and replace any broken or damaged ones with new ones. Inspection and cleaning of the flue system is facilitated by the removable baffle.

PART B - INSTALLATION

It is very important to position the wood fire as close as possible to the flue system, and in an area that will favour the most efficient heat distribution possible throughout the house. The wood fire must therefore be installed in the room where the most time is spent, and in the most spacious room possible. Recall that wood fires produce radiating heat, the heat we feel when we are close to a wood fire. A wood fire also functions by convection that is through the displacement of hot air accelerated upwards and its replacement with cooler air. If necessary, the hot air distribution from the wood fire may be facilitated by the installation of a blower.

6. Safety Information

6.1 Summary of installation cautions and warnings

- **THE INFORMATION GIVEN ON THE CERTIFICATION LABEL AFFIXED TO THE APPLIANCE ALWAYS OVERRIDES THE INFORMATION PUBLISHED, IN ANY OTHER MEDIA (OWNER'S MANUAL, CATALOGUES, FLYERS, MAGAZINES AND/OR WEB SITES).**
- **CAUTION: MIXING OF APPLIANCE OR FLUE-SYSTEM COMPONENTS FROM DIFFERENT SOURCES OR MODIFYING COMPONENTS MAY RESULT IN HAZARDOUS CONDITIONS. WHERE ANY SUCH CHANGES ARE PLANNED, THE MANUFACTURER SHOULD BE CONTACTED IN ADVANCE.**
- **CAUTION: CRACKED AND BROCKEN COMPONENTS, E.G. GLASS PANELS OR CERAMIC TILES, MAY RENDER THE INSTALLATION UNSAFE.**
- **A WOOD FIRE MUST NEVER BE INSTALLED IN A HALLWAY OR NEAR A STAIRCASE, SINCE IT MAY BLOCK THE WAY IN CASE OF FIRE OR FALL TO RESPECT REQUIRED CLEARANCES.**
- **CONNECT THIS WOOD FIRE ONLY TO TRIPLE SKIN FLUE KIT AS PER AS/NZS 2918, APPENDIX B, OR ANY FLUE SYSTEM TESTED TO AND PAST THE REQUIREMENTS OF AS/NZS 2918, APPENDIX F, FOR USE WITH SOLID FUEL OR TO A LINED MASONRY FLUE SYSTEM CONFORMING TO NATIONAL AND LOCAL BUILDING CODES.**
- **USE SMOKE DETECTORS IN THE ROOM WHERE YOUR WOOD FIRE IS INSTALLED.**
- **IF REQUIRED, A SUPPLY OF COMBUSTION AIR SHALL BE PROVIDED TO THE ROOM OR SPACE.**
- **KEEP FURNITURE AND DRAPES WELL AWAY FROM THE WOOD FIRE.**
- **DO NOT CONNECT TO OR USE IN CONJUNCTION WITH ANY AIR DISTRIBUTION DUCTWORK UNLESS SPECIFICALLY APPROVED FOR SUCH INSTALLATION.**
- **DO NOT CONNECT THIS UNIT TO A FLUE OR FLUE SYSTEM SERVING ANOTHER APPLIANCE.**

6.2 Regulations Covering Wood fire Installation

- **IT IS RECOMMENDED THAT THE INSTALLATION OF YOUR DROLET WOOD FIRE BE CARRIED OUT BY A QUALIFIED SPECIALIST INSTALLER. IF ANY ELECTRICAL WORK IS REQUIRED, IT MUST BE CARRIED OUT BY A LICENSED ELECTRICIAN.**
- **WARNING: The instructions pertaining to the installation of your wood fire comply with the AS/NZS 2918:2001 standard. THE APPLIANCE AND FLUE SYSTEM SHALL BE INSTALLED IN ACCORDANCE WITH AS/NZS 2918:2001 AND THE APPROPRIATE REQUIREMENTS OF THE RELEVANT BUILDING CODE OR CODES.**
- **WARNING: APPLIANCES INSTALLED IN ACCORDANCE WITH THIS STANDARD SHALL COMPLY WITH THE REQUIREMENTS OF AS/NZS 4012/4013 (2014) WHERE REQUIRED BY THE REGULATORY AUTHORITY, I.E. THE APPLIANCE SHALL BE IDENTIFIABLE BY A COMPLIANCE PLATE WITH THE MARKING “TESTED TO AS/NZS 4012/4013 (2014)”.**
- **ANY MODIFICATION OF THE APPLIANCE THAT HAS NOT BEEN APPROVED IN WRITING BY THE TESTING AUTHORITY IS CONSIDERED TO BE IN BREACH OF THE APPROVAL GRANTED FOR COMPLIANCE WITH AS/NZS 4012/4013 (2014).**

7. Clearances to Heat-Sensitive Materials

It is of outmost importance that the clearances to heat-sensitive materials are carefully maintained upon the installation of the wood fire you have selected. Refer to the tables below.

No part of the wood fire or flue pipe may be located closer to combustibles than the minimum clearance figures given.

7.1 Location of the Certification Label

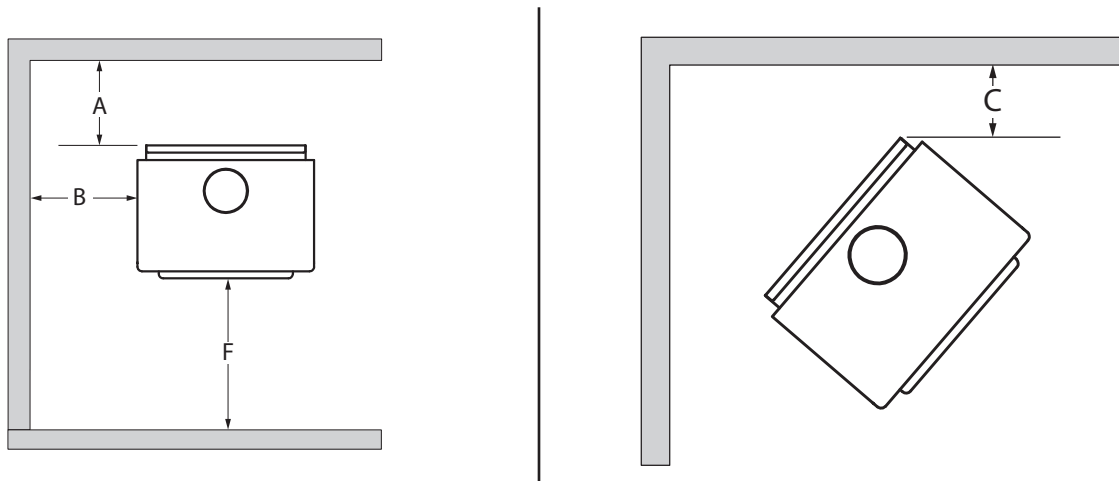
Since the information given on the certification label affixed to the appliance always overrides the information published, in any other media (owner's manual, catalogues, flyers, magazines and/or web sites) it is important to refer to it in order to have a safe and compliant installation. In addition, you will find information about your wood fire (model, serial number, etc.). You can find the certification label on the back of the wood fire.

7.2 Clearances to Walls and Ceiling

WHERE THE FLUE PASSES THROUGH A WALL, CEILING, FLOOR OR ROOFS, VENTILATED DOUBLE FLUE-WOOD FIRE CASINGS MUST BE USED AROUND THE FLUE, ALONG WITH CEILING PLATES AS SPECIFIED IN AS/NZS 2918:2001. THE CASING SHALL PASS THROUGH THE ENTIRE THICKNESS OF WALL OR CEILING.

See figure **Clearances to heat sensitive materials and floor protection** to match each letter to a clearance.

	Clearances
A	110 mm
B	250 mm
C	150 mm
F	1 m



- Bottom of appliance to ceiling height must be at least 2,400 mm in all cases.
- The clearance between the flue and a wall are valid only for vertical walls and for vertical flue.

7.3 Floor Protector

If the wood fire is to be installed on top of a combustible floor, it must be guarded by a non-combustible material as shown on the dotted line area of the above figures. Install a 1000 mm (Width) x 880 mm (Depth) floor protection of 9 mm of thickness with thermal conductivity of 0.1 m² K/W per 9 mm thick.

	FLOOR PROTECTION ¹
D	300 mm
E	200 mm ²

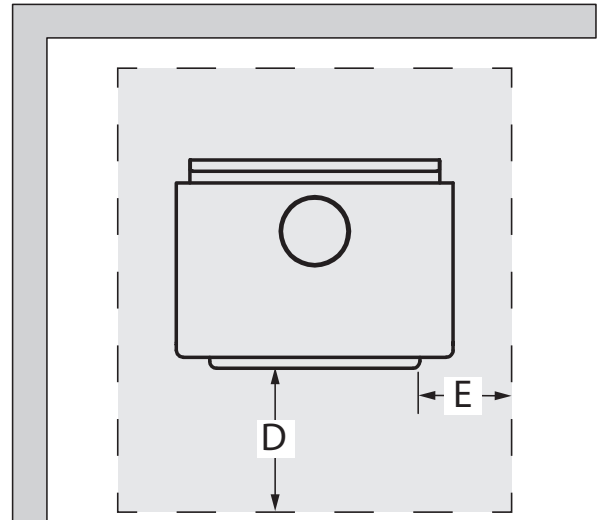


Figure 13: Floor Protection

7.4 Reducing Wall and Ceiling Clearances Safely

You may decrease the minimum clearances to heat-sensitive materials by installing heat radiation shields between the walls or the ceiling and the wood fire. These heat radiation shields must be installed permanently, and must be made of a heat-resistant or heat-tolerant material.

An air gap must separate the heat shield from any heat-sensitive surface. Furthermore, the heat shield shall extend in all directions beyond the boundaries of the appliance surface by a distance of not less than 450 mm. **Exceptions may apply. Refer to AS/NZS 2918:2001.**

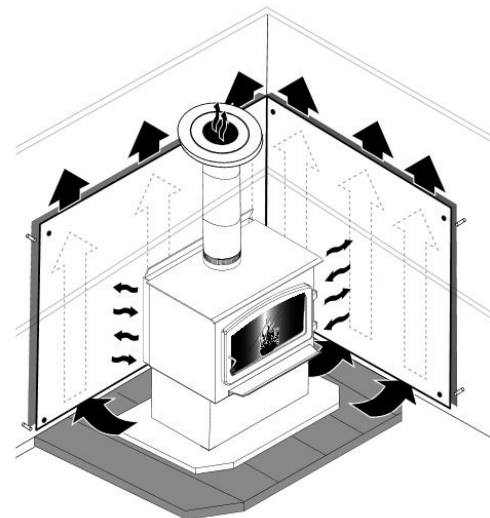


Figure 14: Heat shield

Following the installation of such heat radiation shields, the minimum clearances to heat-sensitive materials may be reduced by applying the clearances factor in the table below:

¹ Bellis board, cement fiber sheet or similar. No protection is required if the unit is installed on a non-combustible floor (ex: concrete).

² The floor protector shall extend not less than 200 mm from each side of any ash removal or fuel loading openings unless the floor protector forms an abutment with a wall or heat shield at a lesser distance.

CONSTRUCTIONS AND CLEARANCE FACTORS FOR APPLIANCES HEAT SHIELDS WHICH ARE WITHIN 45° OF THE VERTICAL

HEAT SHIELD CONSTRUCTIONS	Minimum air gap dimensions (mm)	Clearances factor
Single layer of continuous material	12	0.40
Single layer of continuous material	25	0.30
Two spaced layers of continuous material	12+12	0.20

NOTES:

1. Masonry may be used as a heat shield material.
2. Where heat shields are used to reduce appliance clearance dimensions, additional flue shielding may also be required. Refer to AS/NZS 2918:2001.
3. Non standard installations – Refer to AS/NZS 2918:2001 for guidance.

CONSTRUCTIONS AND CLEARANCE FACTORS FOR APPLIANCES HEAT SHIELDS WHICH ARE MORE THAN 45° OFF THE VERTICAL

HEAT SHIELD CONSTRUCTIONS	Minimum air gap dimensions (mm)	Clearances factor
Single layer of continuous material	12	0.80
Single layer of continuous material	25	0.60

NOTES:

1. Masonry may be used as a heat shield material.
2. Where heat shields are used to reduce appliance clearance dimensions, additional flue shielding may also be required. Refer to AS/NZS 2918:2001.

8. The Venting System

8.1 General

The flue system made up of the flue system and the flue between the wood fire and the flue system, acts as the engine that drives your wood heating system. Even the best wood fire will not function safely and efficiently as intended if it is not connected to a suitable flue system.

The heat in the flue gases that pass from the wood fire and flue into the flue system is not waste heat. This heat is what the flue system uses to make the draft that draws in combustion air, keeps smoke inside the wood fire and safely vents exhaust to outside. You can think of heat in the flue gas as fuel the flue system uses to make draft.

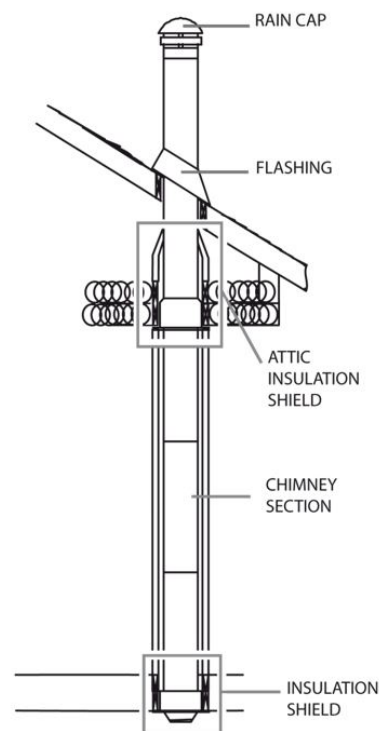
8.2 Suitable Chimneys

Your wood fire will provide optimum efficiency and performance when connected to a 150 mm diameter flue system. The cross-sectional area of the flue shall be within 20 percent of the flue collar opening.

To be suitable, a factory built Insulated Flue Kit must comply with AS/NZS 2918 Appendix F or AS/NZS 2918 Appendix B

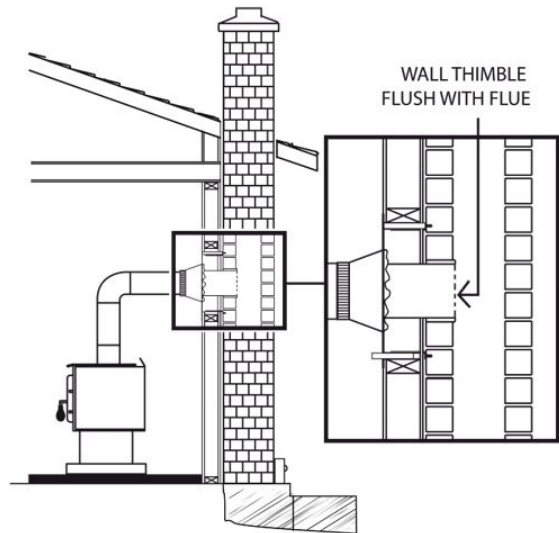
8.2.1 Factory built insulated flue kits

Factory built flue kits are normally sold as a complete system, (not just the flue pipe), with all the components needed to install a heater into a normal 2.4 meters (8 foot) timber stud wall, low pitched roof home. Each flue kit should contain a set of installation instructions covering all the components supplied in the kit. Incorrect installation of these kits is a major source of post installation problems and no short cuts should be taken. All components supplied in the kit are required and should be used to ensure the installation is correct and safe. **It is essential the flue pipe is manufactured from stainless steel that meets the specifications stated in AS/NZS 2918, as stainless steel can be damaged by excessive stress in the lock forming process or by faulty machinery.**

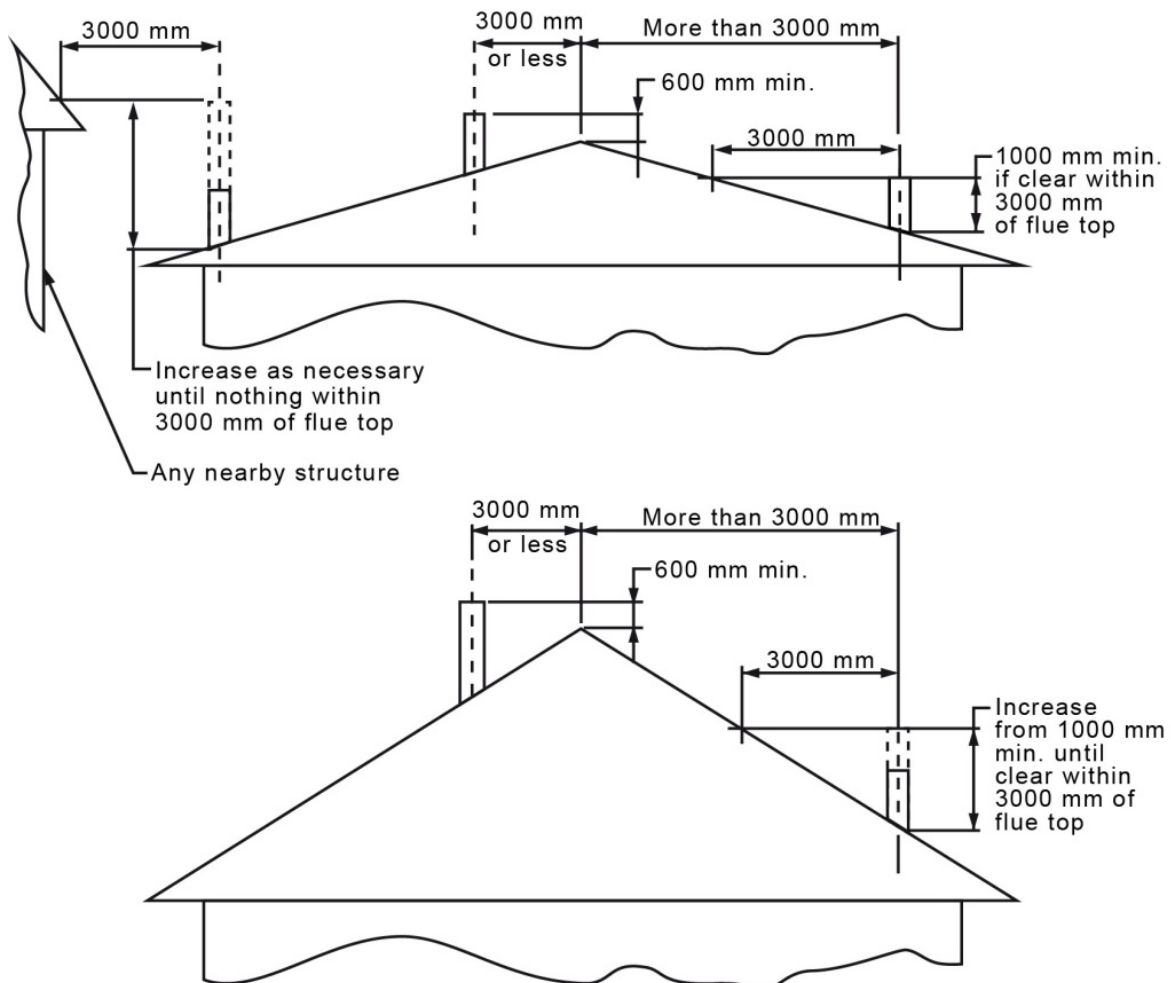


8.2.2 Masonry Flue System

The wood fire may also be connected to a masonry flue system, provided the flue system complies with AS/NZS 2918 or with the construction rules found in the building code enforced locally. The flue system must have either a clay liner or a suitably listed stainless steel liner. If the masonry flue system has a square or rectangular liner that is larger in cross sectional area than a round 150 mm (6") flue, it should be relined with a suitably listed 150 mm (6") stainless steel liner. Do not downsize the flue to less than 150 mm (6") unless the flue system is straight and exceeds 8 m (25 feet) in height. When passing through a combustible wall, the use of an insulated listed thimble is required.



8.3 Minimum Flue Height



Flue heights and lengths from AS/NZS 2918:2001

The top of the flue system should be tall enough to be above the air turbulence caused when wind blows against the house and its roof.

The flue exit shall be located outside the building in which the appliance is installed so that:

- The flue pipe shall extend not less than 4.6 m above the top of the floor protector;
- The minimum height of the flue system within 3 m distance from the highest point of the roof shall be 600 mm above that point;
- The minimum height of the flue system further than 3 m from the highest point of the roof shall be 1000 mm above roof penetration;
- No part of any building lies in or above a circular area described by a horizontal radius of 3 m about the flue system exit.

8.4 The Relationship Between the Chimney and the House

Because the venting system is the engine that drives the wood heating system, it must have the right characteristics. The signs of bad system design are cold backdrafting when there is no fire in the wood fire, slow kindling of new fires, and smoke roll-out when the door is opened for loading. There are two guidelines to follow. First, the chimney should be installed up through the heated space of the house, not out and up an outside wall. Second, the chimney should penetrate to the top of the building at or near the highest heated space.

8.4.1 Why Inside Chimneys Are Preferred

Flue systems that rise straight up from the wood fire flue collar provide the best performance. Flue systems that rise inside the warm space of the house tend to provide a small amount of draft even when there is no fire burning. This means that when you light a fire, the initial smoke goes up the flue system and strong draft builds quickly as the flue system warms up. Flue systems that exit a house wall and run up outside can cause problems.

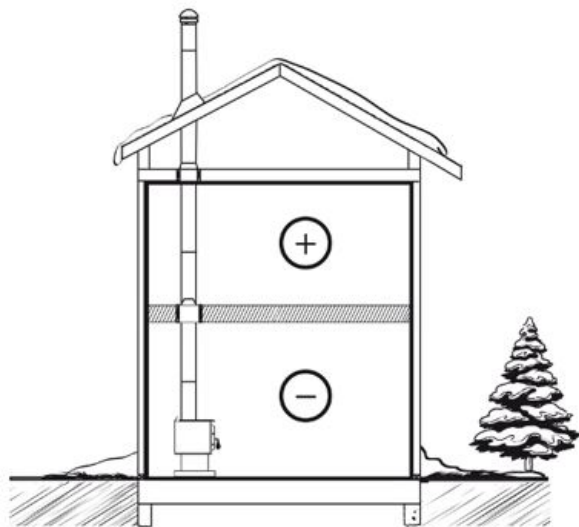


Figure 15: Good System Design

Inside flue systems are preferred because even when no fire is burning, there is normally upward flow in the system.

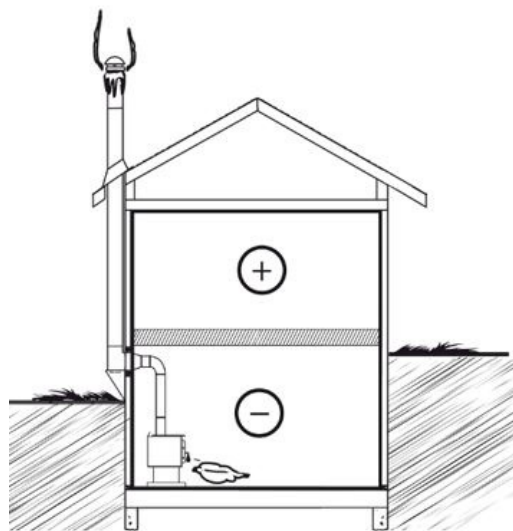


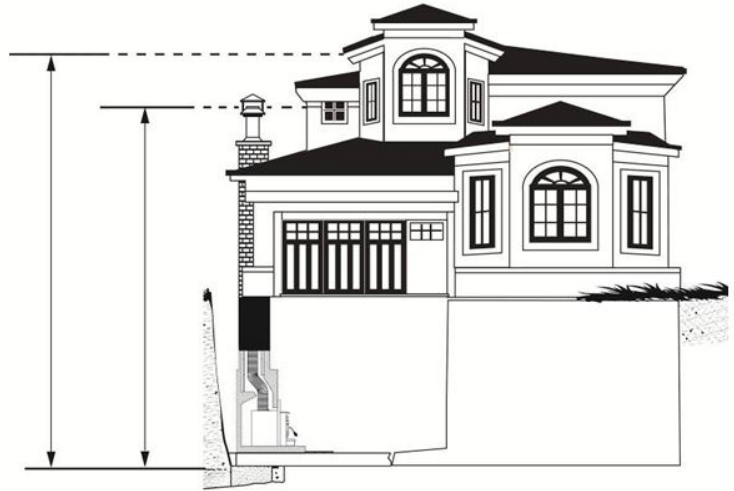
Figure 16: Inferior System Design

Outside flue systems are a problem because when no fire burns they will go into cold downdraught if the wood fire is installed low in the house.

8.4.2 Why the Chimney Should Penetrate the Highest Heated Space

When it is cold outside, the warm air in the house is buoyant so it tends to rise. This tendency of warm air to rise creates a slight pressure difference in the house. Called 'stack effect', it produces a slightly negative pressure low in the house (relative to outside) and a slightly positive pressure zone high in the house. If there is no fire burning in a heater connected to a flue system that is shorter than the warm space inside the house, the slight negative pressure low in the house will compete against the desired upward flow in the flue system.

There are two reasons why the flue system in the house at right will cold downdraught when it is cold outside and there is no fire burning in the wood fire. First, the flue system runs up the outside of the house, so the air in it is colder and denser than the warm air in the house. And second, the flue system is shorter than the heated space of the house, meaning the negative pressure low in the house will pull outside air down the flue system, through the wood fire and into the room. Even the finest wood fire will not work well when connected to this flue system.



8.5 Installing the Flue Connector

The flue has been called 'the weak link' in the safety of wood heating systems because failure to install the flue connector properly (which has been common in the past) can result in house fires.

The best flue is one that rises straight up from the wood fire to the base of the flue system with no elbows. Straight assemblies are less likely to cause problems like smoke roll-out when the door is open for loading. They are also more stable and easier to maintain than assemblies with elbows. Horizontal runs of flue should be avoided where possible because they reduce flue system draft.

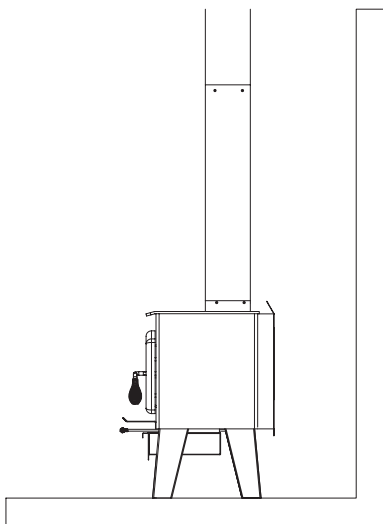


Figure 17: Best

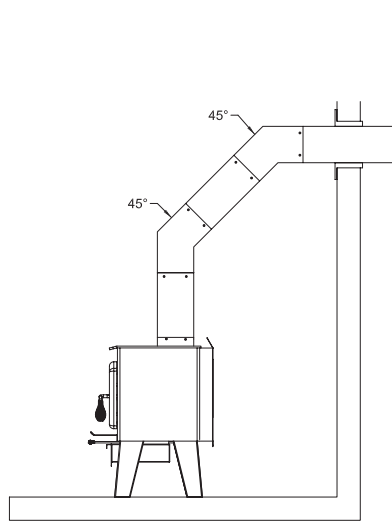


Figure 18: Acceptable

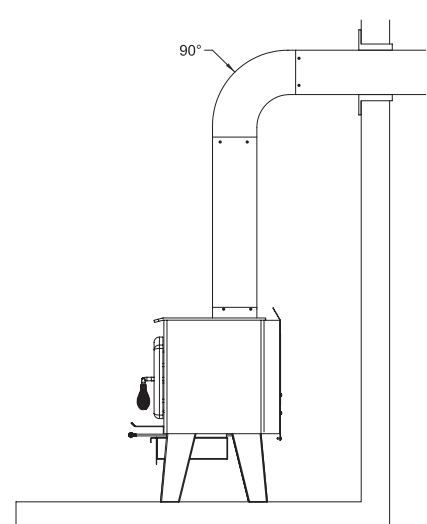


Figure 19: Avoid

Use 45 degree elbows where possible, instead of 90 degree elbows.

The rules below are based on those found in the AS/NZS 2918:2001 installation code. Please carefully follow these installation instruction rules, or those enforced where you live.

- Maximum overall length of the straight flue system: not less than 4.6 m above the top of the floor protector.
- The flue should be as short and direct as possible between the wood fire and flue system. The use of two 45 degree elbows is often preferable to a single 90 degree elbow because less turbulence is created in the exhaust flow and they result in less horizontal run.
- Flue must be at least 24 gauge in thickness.
- Flue joints should overlap 30 mm.
- Each joint in the flue must be fastened with at least three screws.
- The flue must have allowance for expansion: elbows in assemblies allow for expansion; straight assemblies should include an inspection wrap with one end unfastened, or a telescopic section.
- There must be provision for cleaning of the flue, either through a clean out or by removal of the flue. Removal of the flue should not require that the wood fire be moved.
- The male ends of the sections must be oriented towards the appliance so that falling dust and condensation stay inside the wood fire.
- A flue must never pass through a combustible floor or ceiling or through an attic, roof space, closet or concealed space.
- Where passage through a wall or partition of combustible construction is desired, the installation shall conform to AS/NZS 2918:2001.

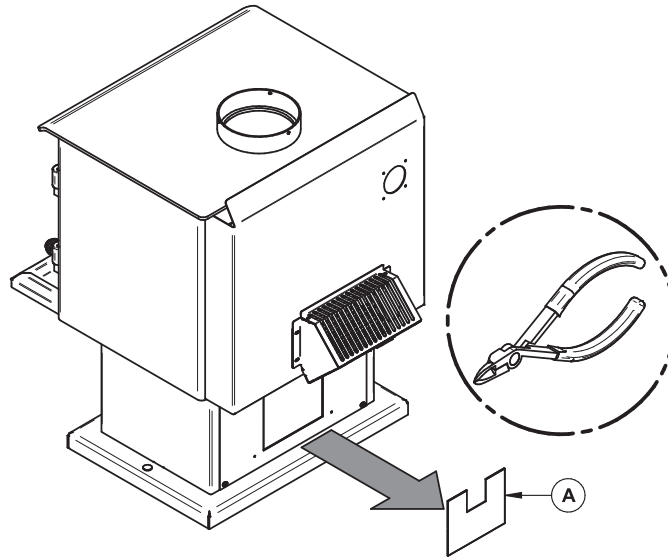
The ideal flue is one that rises straight up from the appliance flue collar and directly into the flue system with no elbows. A straight up flue needs either a telescopic length or an inspection wrap (flue coupler) to allow it to be assembled and disassembled without moving the wood fire.

A straight flue offers the least restriction to gas flow and results in a stronger draft. Straight assemblies also need less maintenance because there are no corners to collect creosote.

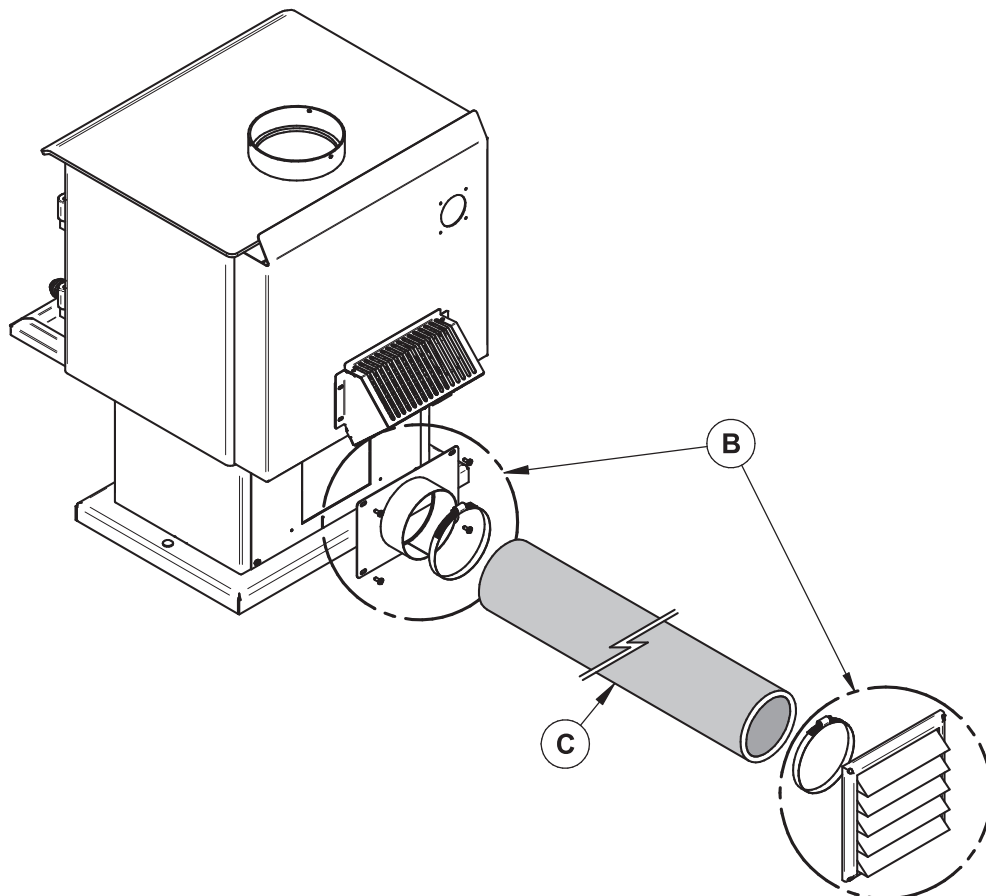
The flue must be in good condition.

APPENDIX 1: OPTIONAL FRESH AIR INTAKE KIT INSTALLATION

This mobile home approved wood fire requires installation of a fresh air intake kit **(A)** and an insulated fresh air intake pipe (HVAC type, must meet ULC S110 or UL 181 class 0 or class 1) **(B)**, sold separately. Refer to air intake kit installation instructions for more details.

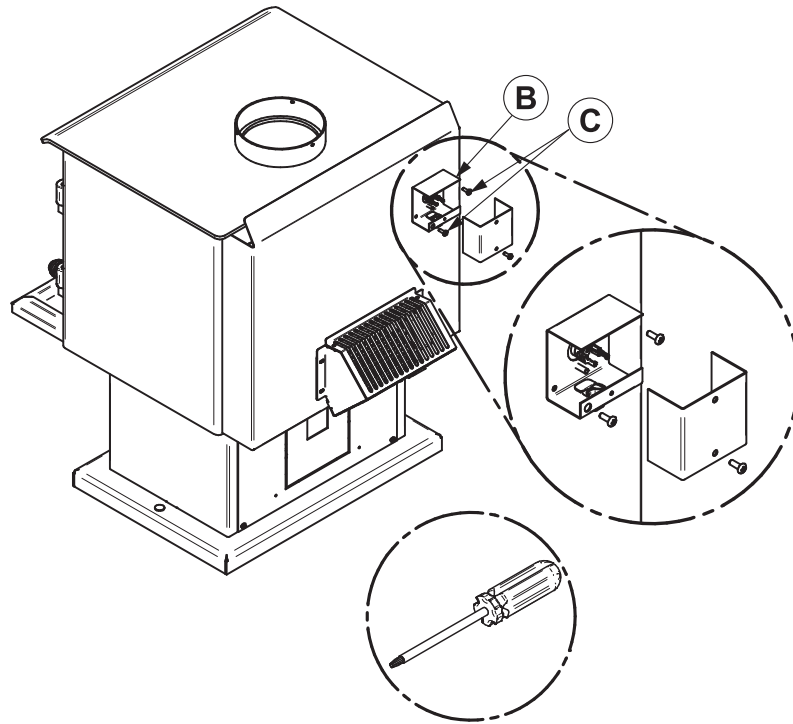


Remove the backplate **(A)** by cutting the knockouts with pliers.



APPENDIX 2: OPTIONAL THERMODISC INSTALLATION

A thermodisc, sold separately, can be installed on the wood fire. Thermodisc allows the blower to operate only when the wood fire is hot enough. See the instructions provided with the thermodisc for more details.

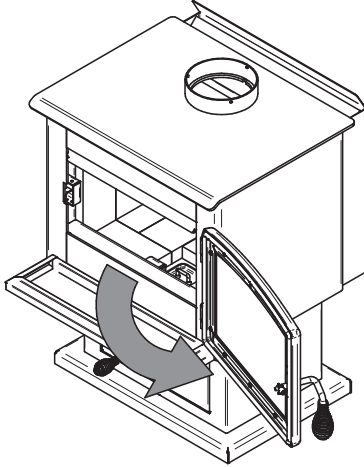


Screw the thermodisc **(B)** with the screws **(C)** supplied with the thermodisc on the back of the wood fire.

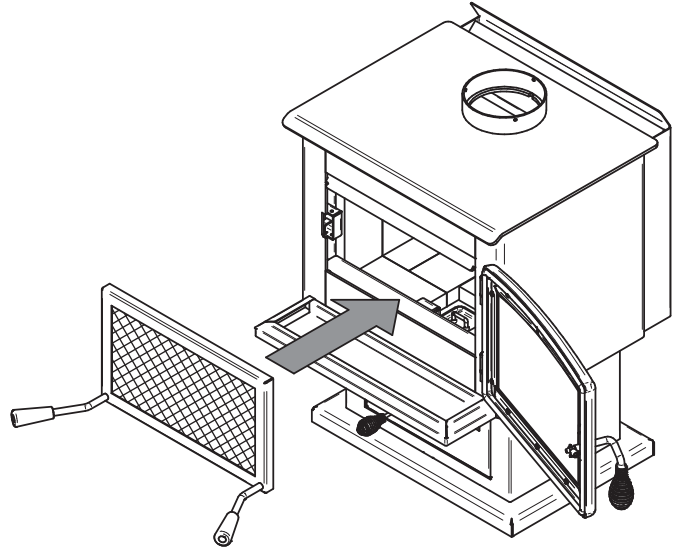
Ensure that the blower's power cord is not in contact with any surface of the wood fire to prevent electrical shock or fire damage. Do not run the power cord beneath the wood fire.

APPENDIX 3: OPTIONAL FIRE SCREEN INSTALLATION

1. Open the door.

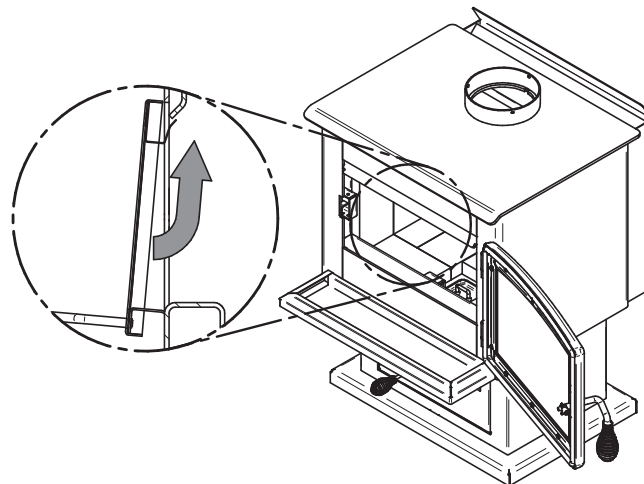


2. Hold the fire screen by the two handles and bring it close to the door opening.

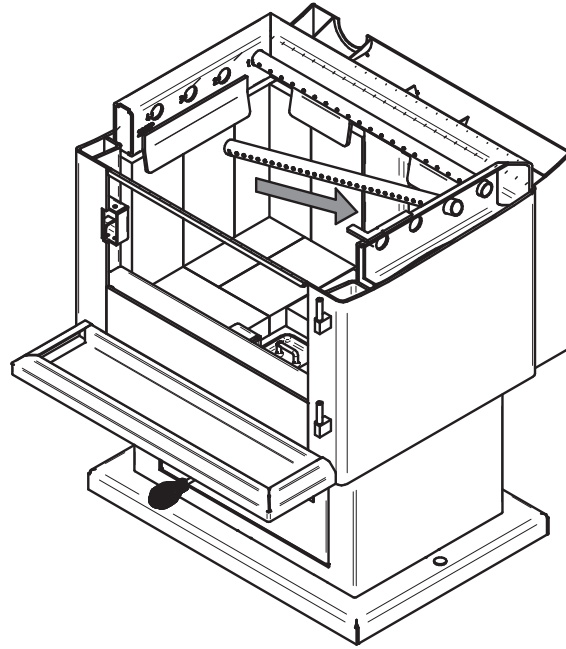


3. Lean the upper part of the fire screen against the top door opening making sure to shove the top fire screen brackets behind the primary air deflector.
4. Lift the fire screen upwards and push the bottom part towards the stove then let the fire screen rest on the bottom of the door opening.

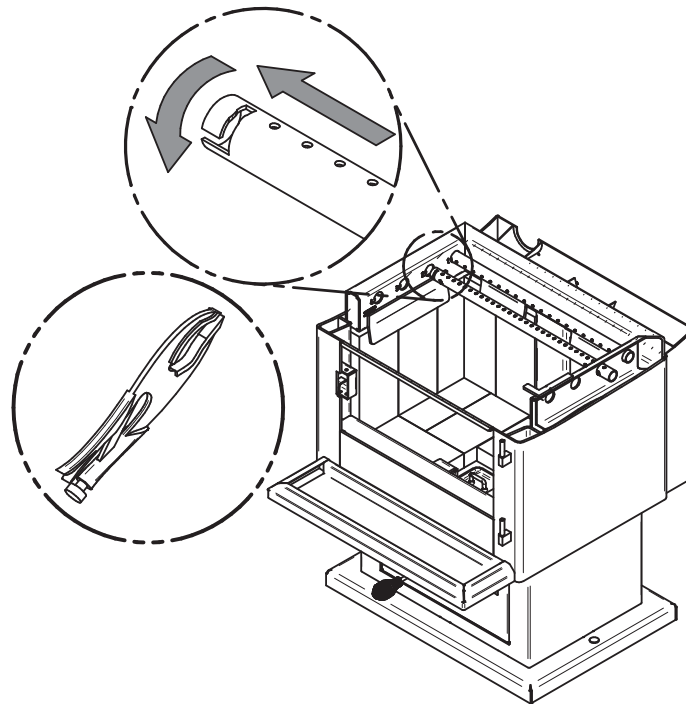
Warning: Never leave the stove unattended while in use with the fire screen.



APPENDIX 4: AIR TUBES AND BAFFLE INSTALLATION

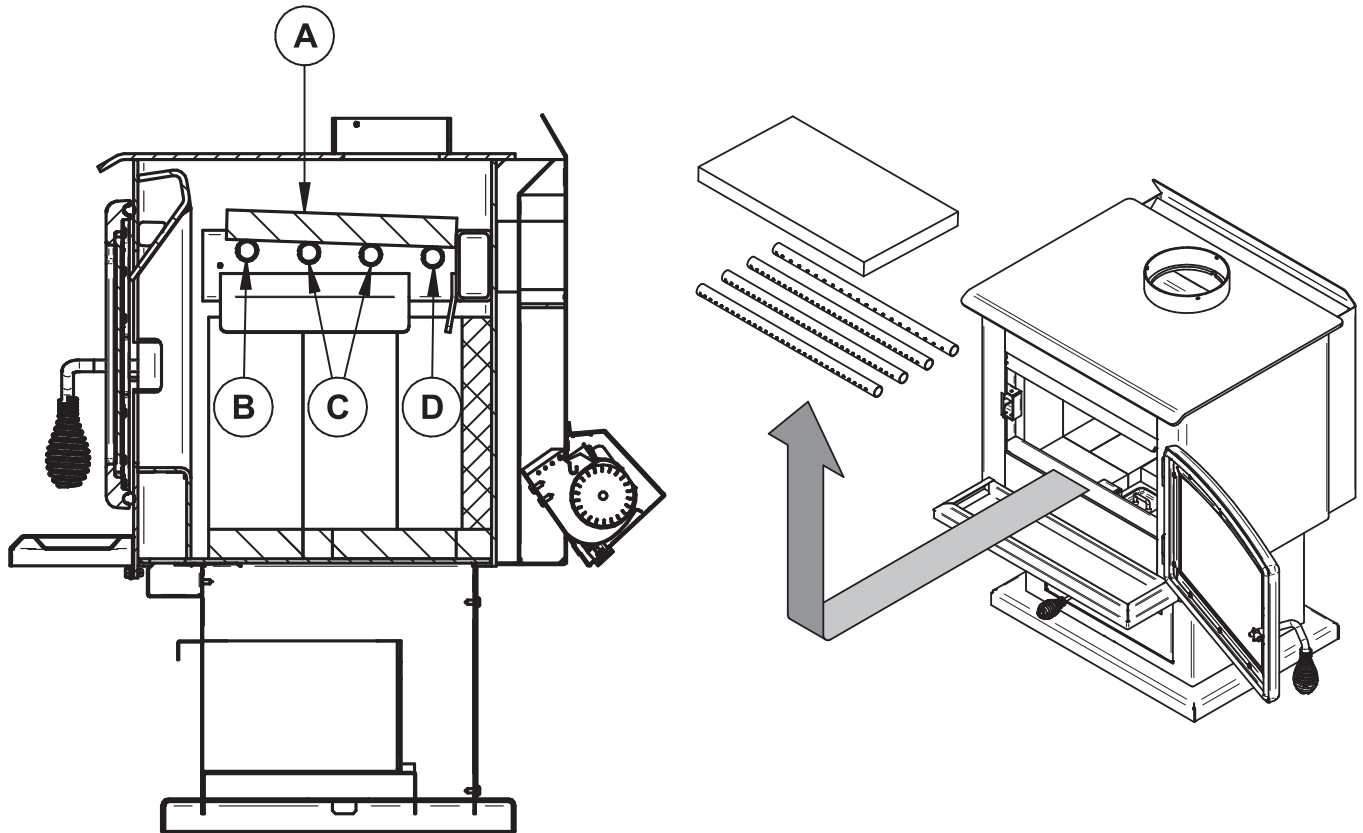


1. Starting with the rear tube, lean and insert the right end of the secondary air tube into the rear right channel hole. Then lift and insert the left end of the tube into the rear left channel.



2. Align the notch in the left end of the tube with the key of the left air channel hole. Using a « Wise grip » hold the tube and lock it in place by turning the tube as shown. Make sure the notch reaches the end of the key way.
3. Repeat steps 1 and 2 for the second tube in the back then install the baffle before installing the two front tubes.
4. To remove the tubes use the above steps in reverse order.

Note that secondary air tubes **(B)**, **(C)** and **(D)** can be replaced without removing the baffle board **(A)**.

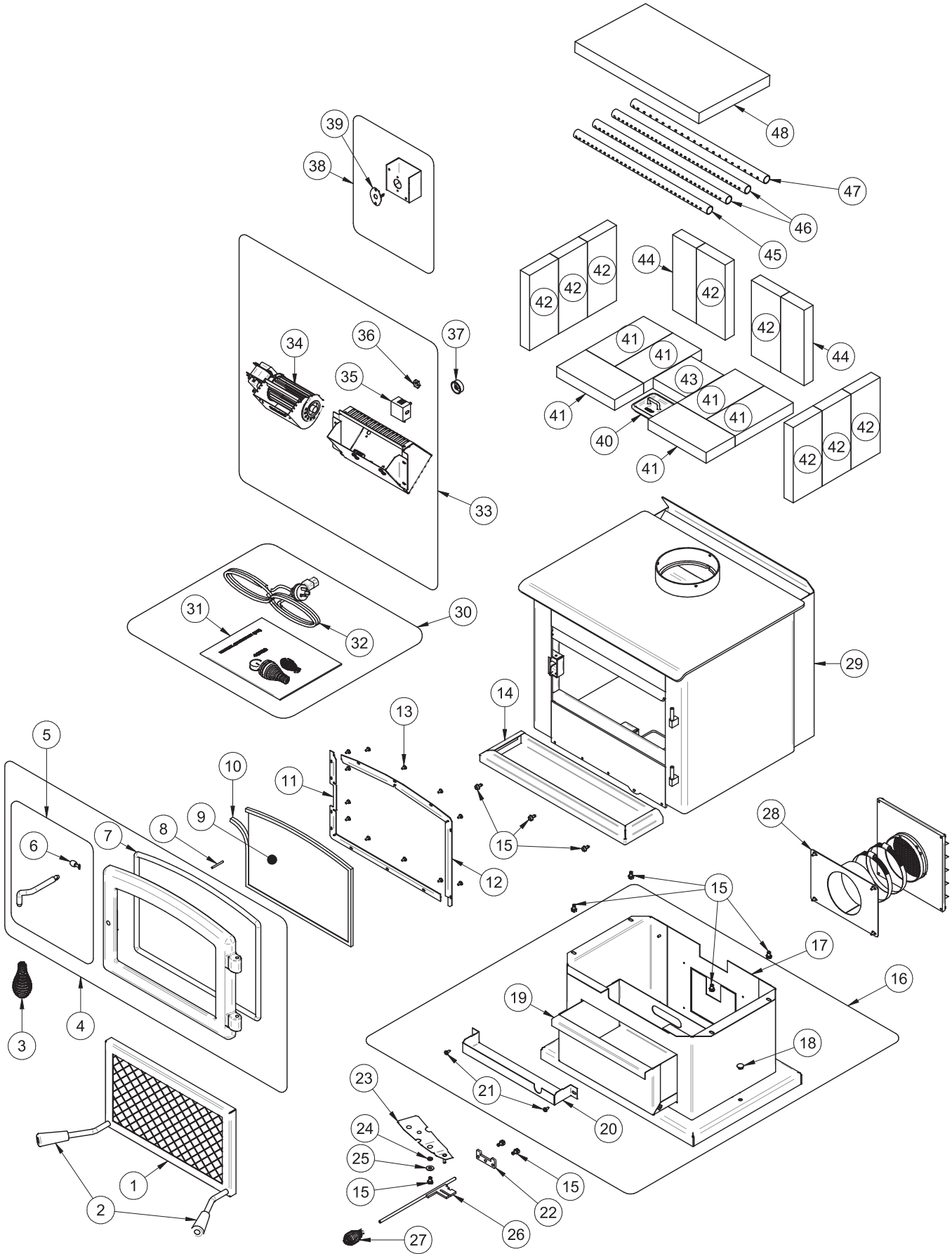


Important Notes

The air tubes are identified for placement as follows:

- | | | |
|------------|----------|---------------------|
| (B) | Front : | 20 holes of 3.55 mm |
| (C) | Middle : | 30 holes of 3.80 mm |
| (D) | Rear: | 20 holes of 3.25 mm |

APPENDIX 5: EXPLODED DIAGRAM AND PARTS LIST



IMPORTANT: THIS IS DATED INFORMATION. When requesting service or replacement parts for your unit, please provide the model number and the serial number. We reserve the right to change parts due to technology upgrades or availability. Contact an authorized dealer to obtain any of these parts. Never use substitute materials. Use of non-approved parts can result in poor performance and safety hazards.

#	Item	Description	Qty
1	AC01342	RIGID FIRESCREEN	1
2	30898	ROUND WOODEN BLACK HANDLE	2
3	AC07867	1/2" CHROME PLATED COIL HANDLE	1
4	SE24219-01	CAST IRON DOOR WITH GASKET, HANDLE AND LATCH	1
5	AC09155	HANDLE AND LATCH KIT	1
6	AC09185	DOOR LATCH KIT	1
7	AC06000	SILICONE AND 1/2" X 8' BLACK DOOR GASKET KIT	1
8	30101	SPRING TENSION PIN 5/32"Ø X 1 1/2"L	1
9	SE54699	14 9/16" X 10" REPLACEMENT GLASS WITH GASKET	1
10	AC06400	3/4" X 6' FLAT BLACK SELF-ADHESIVE GLASS GASKET	1
11	PL54703	LOWER GLASS RETAINER	1
12	PL54704	UPPER GLASS RETAINER	1
13	30124	SCREW #8 - 32 X 5/16" TRUSS QUADREX ZINC	12
14	PL54718	ASH LIP	1
15	30060	THREAD-CUTTING SCREW 1/4-20 X 1/2" F HEX STEEL SLOT WASHER C102 ZINC	8
16	99999	BUILD TO ORDER	1
17	PL54640	BACK BASE	1
18	30418	FINISHING PLUG 3/8"	2
19	SE54638	ASH DRAWER ASSEMBLY	1
20	PL54641	OUTSIDE FRONT AIR CAP	1
21	30131	BLACK METAL SCREW #10 X 1/2" TYPE "A" PAN QUADREX	2
22	PL65572	AIR CONTROL ROD GUIDE	1
23	PL54531		1
24	30187	STAINLESS WASHER ID 17/64" X OD 1/2"	1
25	30206	ZINC WASHER 5/16"ID X 3/4"OD	1
26	SE54546		1
27	AC07869	3/8" BLACK COIL HANDLE	1
28	AC01336	5"Ø FRESH AIR INTAKE KIT FOR WOOD STOVE ON PEDESTAL	1
29	99999	BUILD TO ORDER	1
30	SE46238		1
31	46238		1
32	60284	POWERCORD	1
33	SE09909-03	OSBURN 2300 BLOWER	1
34	44086	TANGENTIAL BLOWER 220V - 50Hz	1

#	Item	Description	Qty
35	44043	RHEOSTAT 240V (WITH NUT)	1
36	44087	RHEOSTAT NUT	1
37	44085	RHEOSTAT KNOB	1
38	AC02056	QUICK CONNECT THERMODISC KIT	1
39	44046	THERMODISC F110-20F	1
40	SE16059	ASH PLUG (CAST IRON)	1
41	29000	4" X 8" X 1 1/4" REFRACTORY BRICK	6
42	29015	4" X 9" X 1 1/4" REFRACTORY BRICK	8
43	PL36062	4 1/2" X 5 1/4" X 1 1/4" REFRACTORY BRICK	1
44	PL36102	REFRACTORY BRICK 3 1/4" X 9"	2
45	PL54512	FRONT SECONDARY AIR TUBE	1
46	PL54728	MIDDLE FRONT SECONDARY AIR TUBE	2
47	PL54730	REAR SECONDARY AIR TUBE	1
48	21397	BAFFLE VERMICULITE BOARD (17 1/8" X 9 3/4" X 1 1/4")	1



My Fireplace Australia Pty Ltd
20 Auto Way, Pakenham, Victoria 3810
ABN 98 167 605 843

WARRANTY

DROLET WOOD HEATERS SOLD IN AUSTRALIA

The warranty of the manufacturer (SBI - Stove Builder International Inc.) is supported and provided via My Fireplace Australia Pty Ltd (MFA).

Warranty claims can only be verified or validated once the Manufacturer / Distributor physically inspects the item. Estimates or opinions prior to attendance do not constitute a quotation or acceptance of liability. Any work that is done gratis does not constitute an acceptance of liability. Should your unit or component be defective, contact your authorised dealer/retailer immediately.

All parts and labour costs covered by this warranty are limited to the terms below, unless specifically noted otherwise in writing by My Fireplace Australia Pty Ltd.

1. The **firebox (welds only)** will be free from defects in materials & workmanship for a period of **15 years** from date of purchase. Pro-Rata Warranty applies.
2. All **parts & accessories** will be free of defects in materials and workmanship for a period of **1 year** from the date of purchase.
3. At the discretion of MFA, the approved warranty claims shall be honoured through a repair, a replacement or a refund.

To expedite and validate your claim, please provide the following information:

- Your name, address and telephone number, email & postal address
- Bill of sale (Paid Tax Invoice), noting heater Make & Model
- Dealer's / Retailers' name and contact details
- Installation configuration – Description, photos and/or video
- Certificate of compliance – where deemed necessary under the Sates Building Act

E.g. <https://www.vba.vic.gov.au/plumbing/plumber-renewals-requirements/compliance-certificates>

- Serial number and model name as indicated on the nameplate fixed to the back of your heater
- Nature of defects and any relevant information.

TERMS

1. The warranty extends only to the original retail purchaser (where the payment of the item has been made in full) and is not transferable.
2. The warranty covers brand new products only, which have not been altered, modified nor repaired since shipment from the factory.
3. Proof of purchase (dated bill of sale), model name and serial number must be supplied when making any warranty claim to your MFA dealer.
4. The warranty applies to normal residential use only.



My Fireplace Australia Pty Ltd
20 Auto Way, Pakenham, Victoria 3810
ABN 98 167 605 843

5. Parts & Accessories are covered by a **Back-to-Base Warranty**. Parts and accessories are deemed to be those items that can be removed/replaced for normal maintenance: air tubes, bricks, baffles, gaskets, fans, handles, latches, hinges, and the like. Glass is specifically excluded.
6. Warranty claims that the Manufacturer/MFA deems to be beyond Back-to-Base practicalities may require on-site attendance. Under such circumstances the Manufacturer/MFA may issue a written Purchaser Order to an authorised repairer at predetermined rate/cost that must not exceed the heater's wholesale replacement cost.
7. The claimant may be required to pay a service call fee if the location is more than 30 kilometers away from the retailer/repairer.
8. The recommended heating area for a given heater is defined by the manufacturer as its capacity to maintain a minimum acceptable temperature in the designated area in case of a power failure.
9. An authorized, qualified, and experienced technician must perform the installation in accordance with the manufacturer's instructions and comply with all local and national building codes. Certificates and licenses are required.
10. The manufacturer may require that defective products be returned or that digital pictures be provided to support the claim.
11. Returned products are to be shipped prepaid to the manufacturer for investigation. Transportation fees to ship the product back to the purchaser will be paid by the manufacturer/distributor.
12. Repair work covered by the warranty, executed at the purchaser's domicile by an authorized qualified technician requires prior written approval of the manufacturer/distributor.
13. Authorised technicians must be given access to the premises to assess the claim. The time and date of which will be nominated by MFA or their representative.
14. The manufacturer, at its discretion, may decide to repair or replace any part of the heater after inspection and investigation of the defect. The manufacturer may, at its discretion, fully discharge all obligations with respect to this warranty by refunding the wholesale price of any warranted but defective parts.
15. MFA may replace heaters/components with refurbished goods of the same type rather than repair or replace them.
16. Where a product is superseded or not readily available, a product of close specification may be used.
17. The manufacturer will, in no event, be responsible for any uncommon, indirect, consequential damage of any nature, which is more than the original purchase price of the product.

Exclusions & Void Warranty:

- A. This warranty is void if the unit is used to burn material other than wood (to which the unit was tested & passed independent certification).
- B. This warranty is void if the heater is not operated according to the owner's manual.
- C. Use of destructive fuels, such as wood with high moisture, sap or oil content will void this warranty.
- D. Damage caused by misuse, abuse, improper installation, lack of maintenance, over firing, or negligence are not covered by this warranty.
- E. Accident during transportation is not covered by this warranty.
- F. Damages caused by power failures, surges and lightning-strikes are not covered by this warranty.
- G. Downdrafts and venting problems are not covered by this warranty.
- H. Lack of performance/suitability due to miscalculated/estimated heating area is not covered by this warranty.
- I. Scratch, corrosion, distortion, discoloration, fade or flaking of surfaces (reported after 7 days of delivery/receipt) are not covered by this warranty.
- J. Defects or damages caused by the use of unauthorized, aftermarket/non-original parts or cleaning products are not covered by this warranty.
- K. Installation or service must be carried out by an experienced, qualified and licenced technician. The inability to provide the installers details, licence number and/or certificate of compliance may void warranty.
- L. Glass breakage is not covered by this warranty.



My Fireplace Australia Pty Ltd
20 Auto Way, Pakenham, Victoria 3810
ABN 98 167 605 843

Before shipping your heater or defective component to our warehouse, you must obtain an Authorization Number or expressed written approval/consent from your Distributor (MFA). Any merchandise shipped without authorisation will be refused automatically and returned to the sender.

Liability Limitations

MFA will not accept liability for the following causes, unless otherwise stated by law:

1. Insurable events.
2. Damage or failure of goods due to Acts of God or extreme weather conditions.
3. Damage, internal or external, caused by water leaks, rain, smoke, or soot ingress.
4. Damage caused by birds, pests, animals, insects, or rodents.
5. Damage caused by Insurable events i.e., power surge, lightning strikes, etc.

The client accepts responsibility to ensure that the building, roof, or structure complies with all current building specifications, regulations and codes and poses no threat to the health or safety of any person attending the site.

The client must inspect all purchased goods and equipment and report damage within seven (7) days of delivery. Claims outside this timeframe will not be considered.

Service or warranty claims in relation to non-compliant heaters (at the time of sale/installation) must be directed to the third party who supplied or installed the item.

Goods in Transit

Once a contract of sale has been entered (items invoiced or a payment received), the purchaser is responsible for insuring the items from the point of dispatch (MFA) to the nominated destination.

My Fireplace Australia will not quote, nor include freight insurance on any consignment (paid freight or free of charge):

Section 25 of the Goods Act 1958 (Vic) (Act):

“Unless otherwise agreed, the goods remain at the seller’s risk until the property therein is transferred to the buyer, but when the property therein is transferred to the buyer the goods are at the buyer’s risk whether delivery has been made or not...”
That is, once a contract of sale has been entered (items invoiced, partially or paid in full), the ownership of the goods is transferred to the buyer, that buyer carries the risk of loss or damage to those goods even if the goods have not been delivered. This position is replicated across legislation in other states.
The parties to a contract of sale of goods can, however, by agreement, nominate the point at which ownership and risk will pass from the seller to the buyer to override the position under section 25 of the Act.



My Fireplace Australia proudly supports the activities of Landcare Australia through its membership of the AHHA.



Manufactured by:

STOVE BUILDER INTERNATIONAL INC.

250, de Copenhague, Saint-Augustin-de-Desmaures (Quebec), Canada G3A 2H3

Tel: (418) 878-3040 Fax: (418) 878-3001

Distributed by:



My fireplace Australia

ACN 127 126 550

Fact.2, 5-7 Hogan Court

PAKENHAM , VICTORIA, AUSTRALIA, 3810

Tel: (613) 59415 008 Fax: (613) 59415 975

www.myfireplaceaustralia.com.au