



INSTALLATION AND OPERATING INSTRUCTIONS GAS WALL MOUNTED ROOM HEATER

Model	Code	Gas
DV30	DG04900	Gas "E" Liquefied propane gas (LPG)
DV45	DG04905	Gas "E" Liquefied propane gas (LPG)

WARNING: If the information in these instructions are not followed exactly, a fire or explosion may result causing property damage, personal injury or death.

- Do not store or use gasoline or other flammable vapors and liquids in the vicinity of this or any other appliance.

WHAT TO DO IF YOU SMELL GAS:

- Shut off the gas supply at the gas source.
- Do not try to light any appliance.
- Do not touch any electrical switch; do not use any phone in your building.
- Immediately call your gas supplier from a neighbor's phone. Follow the gas supplier's instructions.
- If you cannot reach your gas supplier, call the fire department.
- Installation and service must be performed by a qualified installer, Service agency or the gas supplier.



DV30
DV45

INSTALLER: Leave this manual with the appliance.

CONSUMER: Retain this manual for future reference.

The coating selected to provide longer life to the heat exchanger may smoke slightly upon initial firing.

Please provide adequate ventilation if this occurs.

The appliance may be installed in an aftermarket permanently located, manufactured home (USA only) or mobile home, where not prohibited by local codes. This appliance is only for use with the type of gas indicated on the rating plate. This appliance is not convertible for use with other gases, unless a certified kit is used.

WARNING: Operation of this stove without the properly installed, furnished vent system and vent cap could result in Carbon Monoxide (CO) poisoning and possible death. For your safety, this stove and the vent system should be inspected at least annually by a qualified service technician.

This unit is for residential use only and is not approved for installation in greenhouses, or environments involving dusty, wet, corrosive, or explosive conditions. Such conditions will invalidate the warranty and may create unsafe conditions.

Installation, maintenance, service, trouble shooting and repairs must be performed by a qualified service agency.

Mr./Mrs. Homeowner, DO NOT attempt any of these procedures yourself as this could expose you to property damage, personal injury, or loss of life and will invalidate all warranties.

TABLE OF CONTENT

INTRODUCTION	6
PRODUCT IDENTIFICATION	7
SPECIFICATIONS, DIMENSIONS AND ADVERTISING	7
PRODUCT FEATURES.....	8
FUNCTIONAL WIRING DIAGRAM.....	9
PRODUCT FEATURES.....	10
INSTALLATION.....	10
MINIMUM CLEARANCES FROM COMBUSTIBLES.....	10
VENT TERMINAL CLEARANCES	11
INSTALLATION WARNING.....	12
GENERAL INFORMATION	12
INSTALLATION PROCEDURE	13
INSTALLATION PROCEDURE	14
GAS CONNECTION	16
OPERATION	17
TO TURN OFF GAS TO APPLIANCE	17
CLEANING AND MAINTENANCE.....	18
GAS CONVERSION INSTRUCTION	20
ADJUSTMENTS	21
CHECKING THE SUPPLY PRESSURE.....	22
TROUBLESHOOTING.....	24
WARRANTY	25
PARTS LIST.....	26



DISTRIBUTED BY
 STOVE BUILDER INTERNATIONAL INC
 250 RUE DE COPENHAGUE
 SAINT-AUGUSTIN-DE-DESMAURES
 G3A 2H3 CANADA



ROOM HEATER	Drolet DV30	
	NAT	LP
KIND OF GAS / TYPE DE GAZ		
MAX HEATING VALUE / VALEUR CALORIFIQUE MAXIMALE	Btu/h 9300	9300
MIN HEATING VALUE / VALEUR CALORIFIQUE MINIMUM	Btu/h 4740	4740
MINIMUM GAS PRESSURE BEFORE GAS VALVE / PRESSION MINIMALE DE GAZ AVANT VALVE	"W.C. 3.5	8.0
MAXIMUM GAS PRESSURE BEFORE GAS VALVE / PRESSION MAXMALE DE GAZ AVANT VALVE	"W.C. 8.48	21.2
GAS PRESSURE AFTER VALVE FOR MAX / PRESSION DE GAZ APRES VALVE MAXIMALE	"W.C. 4.0	10.0
INJECTOR MAIN BURNER / INJECTEUR PRINCIPAL DE BRÛLEUR	n°	1
	Ø inch	0.059
	Ø mm	1.50
INJECTOR PILOTE BURNER / INJECTEUR BRÛLEUR PILOTE	n°	1
	Ø inch	0.017
	Ø mm	0.42
VOLTAGE RATING/MAINS FREQUENCY/MAX AMP / TAUX DE TENSION /FRÉQUENCE DU RÉSEAU/MAX AMP	120 V AC / 60 Hz / 15 A	
ELECTRICAL CONSUMPTION / CONSOMMATION ELECTRIQUE	37 watt	
ANNUAL FUEL UTILIZATION EFFICIENCY / EFFICACITE ANNUELLE DE L'UTILISATION DU CARBURANT	73.66%	
REFERENCE STANDARDS / NORMES DE RÉFÉRENCE.: "ANSI Z21.86-2016 • CSA 2.32-2016"		
SERIAL NUMBER / NUMÉRO DE SÉRIE	931456981	

PREDISPOSE FOR: PRESENTER POUR:	LP	
INTAKE PRESSURE / PRESSION D'ADMISSION	"W.C.	11.0
MANIFOLD PRESSURE / PRESSION DU COLLECTEUR	"W.C.	10.0

"This appliance must be installed in accordance with local codes, if any; if not, follow the National Fuel Gas Code, ANSI Z223.1/NFPA 54, or the Natural Gas and Propane Installation Code, CSA-B149.1."

PRODUCT NAME: Drolet DV30

SERIAL NO: 931456981

"This appliance is only for use with the type(s) of gas indicated on the rating plate and may be installed in a aftermarket, permanently located, manufactured home (USA only) or mobile home, where not prohibited by local codes. See owner's manual for details. This appliance is supplied with a conversion kit."

Maximum thickness of the installation wall: 18,9"

Épaisseur maximale du mur d'installation: 18.9 "

TRASFORMED TO:
TRASFORMÉ À: NAT

PREDISPOSE FOR: PRESENTER POUR:	NAT	
INTAKE PRESSURE / PRESSION D'ADMISSION	"W.C.	7.0
MANIFOLD PRESSURE / PRESSION DU COLLECTEUR	"W.C.	4.0

LP

LP



DISTRIBUTED BY:
 STOVE BUILDER INTERNATIONAL INC
 250 RUE DE COPENHAGUE
 SAINT-AUGUSTIN-DE-DESMAURES
 G3A 2H3 CANADA



ROOM HEATER	Drolet DV45		
		NAT	LP
KIND OF GAS / TYPE DE GAZ			
MAX HEATING VALUE / VALEUR CALORIFIQUE MAXIMALE	Btu/h	13750	13750
MIN HEATING VALUE / VALEUR CALORIFIQUE MINIMUM	Btu/h	7536	7536
MINIMUM GAS PRESSURE BEFORE GAS VALVE / PRESSION MINIMALE DE GAZ AVANT VALVE	"W.C.	3.5	8.0
MAXIMUM GAS PRESSURE BEFORE GAS VALVE / PRESSION MAXIMALE DE GAZ AVANT VALVE	"W.C.	8.48	21.2
GAS PRESSURE AFTER VALVE FOR MAX / PRESSION DE GAZ APRES VALVE MAXIMALE	"W.C.	4.0	10.0
INJECTOR MAIN BURNER / INJECTEUR PRINCIPAL DE BRÛLEUR	n°	1	1
	Ø inch	0.071	0.046
	Ø mm	1.80	1.16
	n°	1	1
INJECTOR PILOTE BURNER / INJECTEUR BRÛLEUR PILOTE	Ø inch	0.017	0.07
	Ø mm	0.42	0.19
	n°	1	1
VOLTAGE RATING/MAINS FREQUENCY/MAX AMP / TAUX DE TENSION /FRÉQUENCE DU RÉSEAU/MAX AMP	120 V AC / 60 Hz / 15 A		
ELECTRICAL CONSUMPTION / CONSOMMATION ÉLECTRIQUE	55 watt		
ANNUAL FUEL UTILIZATION EFFICIENCY / EFFICACITÉ ANNUELLE DE L'UTILISATION DU CARBURANT	76.85%		
REFERENCE STANDARDS / NORMES DE RÉFÉRENCE : "ANSI Z21.86-2016 • CSA 2.32-2016"			
SERIAL NUMBER / NUMÉRO DE SÉRIE	931456980		

PREDISPOSE FOR: PRESENTER POUR	LP	
INTAKE PRESSURE / PRESSION D'ADMISSION	"W.C.	11.0
MANIFOLD PRESSURE / PRESSION DU COLLECTEUR	"W.C.	10.0

"This appliance must be installed in accordance with local codes, if any; if not, follow the National Fuel Gas Code, ANSI Z223.1/NFPA 54, or the Natural Gas and Propane Installation Code, CSA-B149.1."

PRODUCT NAME: Drolet DV45

SERIAL NO: 931456980

"This appliance is only for use with the type(s) of gas indicated on the rating plate and may be installed in a aftermarket, permanently located, manufactured home (USA only) or mobile home, where not prohibited by local codes. See owner's manual for details. This appliance is supplied with a conversion kit."

Maximum thickness of the installation wall: 18,9"

Épaisseur maximale du mur d'installation: 18.9 "

TRASFORMED TO:
TRASFORMÉ À: NAT

PREDISPOSE FOR: PRESENTER POUR	NAT	
INTAKE PRESSURE / PRESSION D'ADMISSION	"W.C.	7.0
MANIFOLD PRESSURE / PRESSION DU COLLECTEUR	"W.C.	4.0

LP

LP

This gas appliance must not be connected to a chimney flue serving a separate solidfuel burning appliance.

IMPORTANT FOR YOUR SAFETY

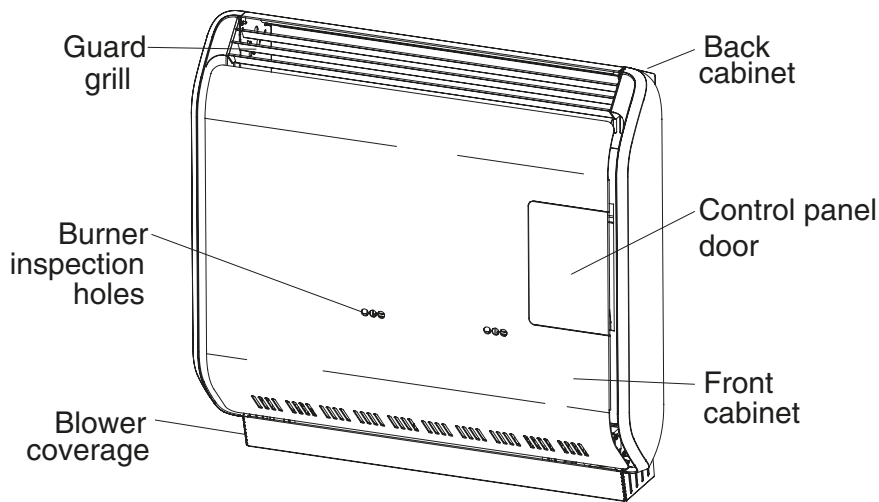
- Improper installation, adjustment, alteration, service, or maintenance can cause property damage, personal injury or loss of life. Refer to this manual.
- Do not connect this unit to a chimney flue serving a separate solid-fuel burning appliance.
- Installation and service must be performed by a qualified installer, service agency, or the gas supplier.

Do not use this appliance if any part has been under water. Immediately call a qualified service technician to inspect the appliance and to replace any part of the control system and any gas control which has been under water.

INTRODUCTION

This is a gas-fired, room heaters that will operate safely and provide an efficient source of heat when installed, operated and maintained as recommended in these installation and operating instructions. Read these instructions thoroughly before installing, servicing, or using the appliance. If you do not understand any part of these instructions consult local authorities, other qualified installers, service technician, the gas supplier or the manufacturer.

PRODUCT IDENTIFICATION



SPECIFICATIONS, DIMENSIONS AND ADVERTISING

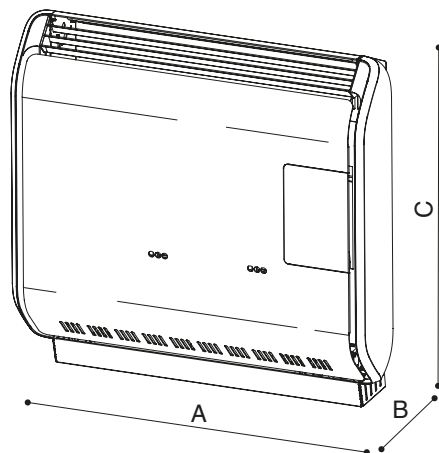
These units are independent gas appliances for space heating. They use an atmospheric burner with an airtight combustion chamber. This guarantees maximum safety because it does not allow exhaust fumes or gas leak in the habited environment. The intake of the combustion air and the exhaust of the combustion fumes takes place outside the environment through two concentric tubes, thanks to the balanced draft created by the ascending force of the fumes. They can be installed in narrow spaces and are equipped with a humidifying tray. They are assembled, in the factory, for operation with Gas "E" (LPG), but can be converted for Gas "A" (LNG) operation, using the nozzle kit supplied.

The thermostatic ignition/control/regulation valve, controls all main functions and automatically shuts off the gas supply in case of malfunction.

The control panel allows you to switch on the appliance's electrical power (appliances with tangential fan or timer only), to start and stop it manually or automatically using the thermodisc, to set its heating power and start/stop the fan, adjust the room temperature setting and restore operation after a malfunction.

In Canada, the CSA C22.1 Canadian National Electrical Code and in the U.S.A, the NFPA 70 National Electrical Code are to be followed in the absence of local code requirement.

Model	Input Nom./Red. kW	A Width	B Depth	C Height	Gas Connection	Type gas	MAX wall thickness	MIN wall thickness
DV30	3,49/1,42	25,27	8,85	33,77	1/2"	Gas "E"(LPG)	35,43	5
DV45	5,11/2,04	32,36	8,85	33,77	1/2"	Gas "E"(LPG)	35,43	5



LNG: Liquefied Natural Gas

LPG: Liquefied Propane Gas

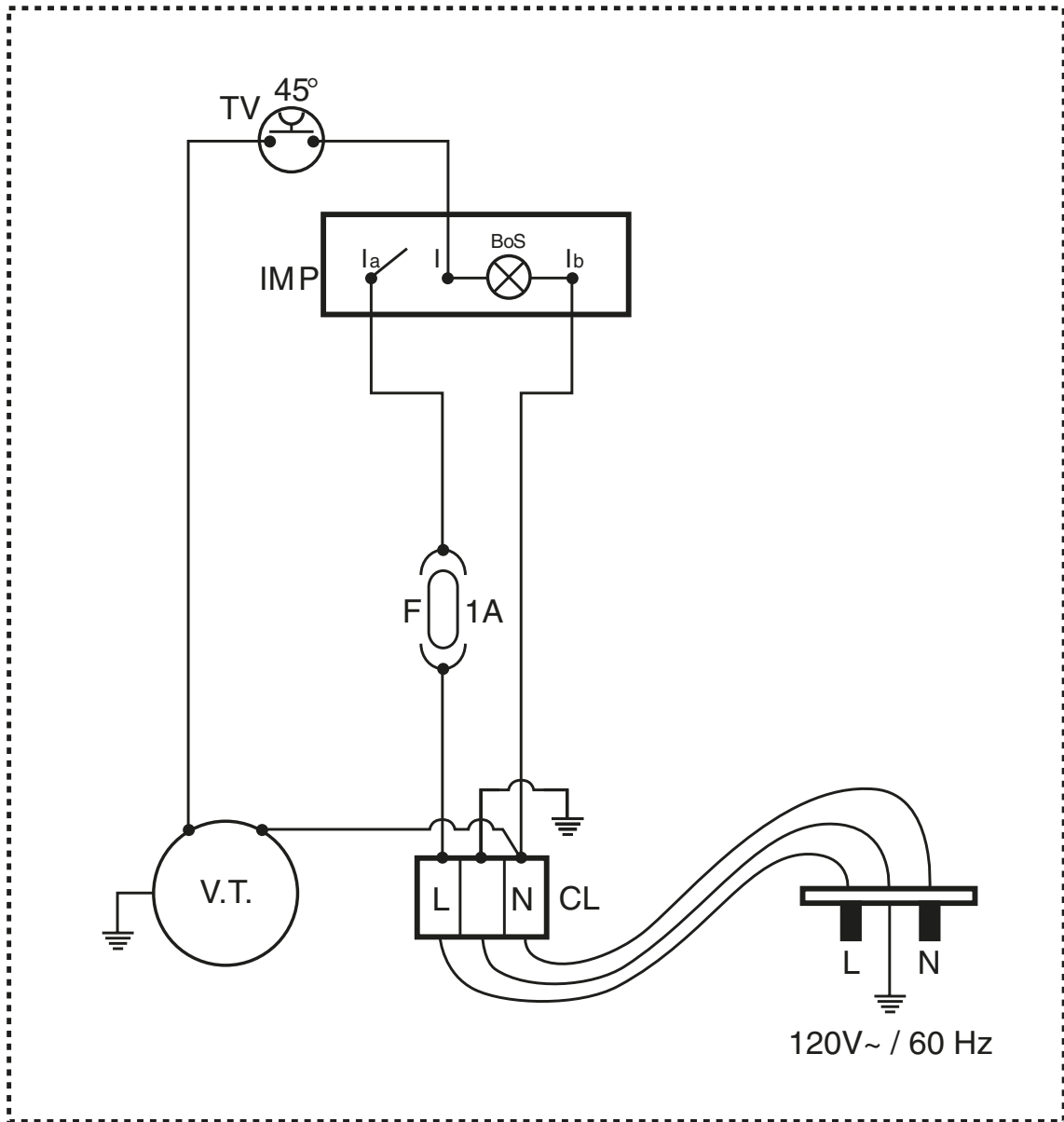
PRODUCT FEATURES

Room heater		DV30	
Gas type		Gas A (LNG)	Gas E (LPG)
Max heating value	Btu	9300	9300
Min heating value	Btu	4740	4740
Minimum gas pressure before valve	W.C.	3.5	8.0
Maximum gas pressure before valve	W.C.	8.48	21.2
Gas pressure after valve for max	W.C.	4.0	10.0
Injector main burner /	n. Ø inch Ø mm	1 0.059 1.50	1 0.037 0.95
Injector pilote burner	n. Ø inch Ø mm	1 0.017 0.42	1 0.007 0.19
Voltage rating / mains frequency	120 V AC / 60Hz		
Electrical consumption	W/H	37	
Annual fuel utilization efficiency	%	73,66	
Reference standards "ANSI Z21 86-2016 • CSA 2.32-2016"			
Predispose for	GAS E		
Intake pressure	W.C.	11	
Manifold pressure	W.C.	10	

Room heater		DV45	
Gas type		Gas A (LNG)	Gas E (LPG)
Max heating value	Btu	13750	13750
Min heating value	Btu	7536	7536
Minimum gas pressure before valve	W.C.	3.5	8.0
Maximum gas pressure before valve	W.C.	8.48	21.2
Gas pressure after valve for max	W.C.	4.0	10.0
Injector main burner	n. Ø inch Ø mm	1 0.071 1.80	1 0.046 1.16
Injector pilote burner	n. Ø inch Ø mm	1 0.017 0.42	1 0.007 0.19
Voltage rating / mains frequency	120 V AC / 60Hz		
Electrical consumption	W/H	55	
Annual fuel utilization efficiency t	%	76,85	
Reference standards "ANSI Z21 86-2016 • CSA 2.32-2016"			
Predispose for	GAS E		
Intake pressure	W.C.	11	
Manifold pressure	W.C.	10	

NOTE: Minimum Gas Inlet Pressure for purpose of input adjustment. The efficiency rating of the appliance is a product thermal efficiency rating determined under continuous operating conditions and was determined independently of any installed system.

FUNCTIONAL WIRING DIAGRAM



- | | |
|-----|--------------------|
| CL | LINE CONNECTOR |
| CVT | CONDENSER |
| EA | IGNITION ELECTRODE |
| F | FUSE |
| IMP | MANUAL SWITCH |
| L | PHASE |
| N | NEUTRAL |
| O | TIMER |
| TV | FAN THERMODISC |
| VT | TANGENTIAL FAN |
| BoS | BULB OF SWITCH |

CAUTION: Label all wires prior to disconnection when servicing controls.
Wiring errors can cause improper and dangerous operation.
Verify proper operation after servicing.

PRODUCT FEATURES

NOTICE: A qualified service person must install the heater. Follow all local codes.

CHECK GAS TYPE

Use only the type of gas indicated on the rating plate.

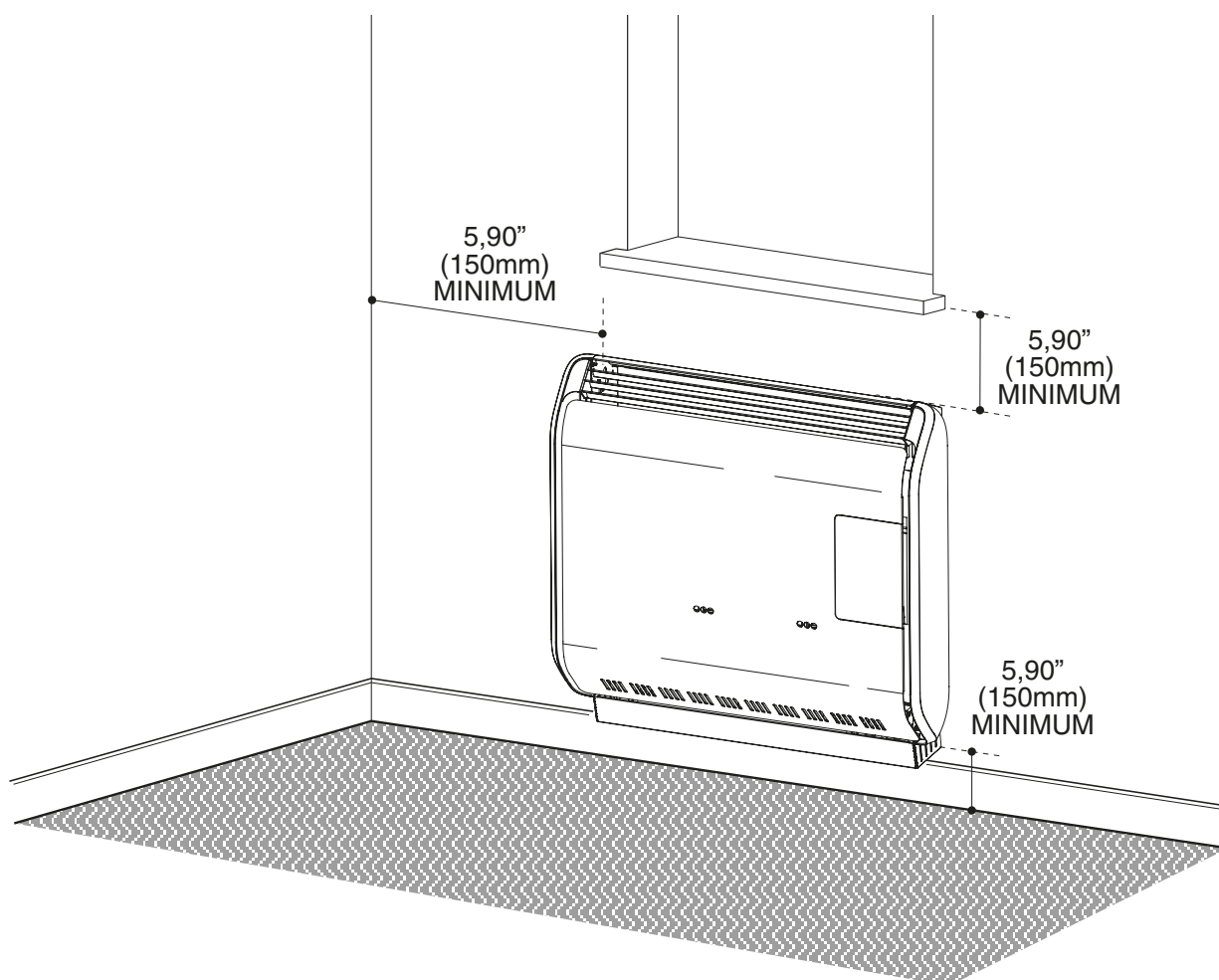
INSTALLATION

Before installing the heater, make sure you have the items listed below;

- Piping (check local codes)
- Sealant (resistant to propane gas)
- Manual shutoff valve
- Pipe wrench
- Power Driver
- Jig Saw
- High Temperature Silicone (outside)

The installation location shall provide the following;
A) adequate combustion and ventilation air, and
B) adequate accessibility clearances for servicing.

MINIMUM CLEARANCES FROM COMBUSTIBLES

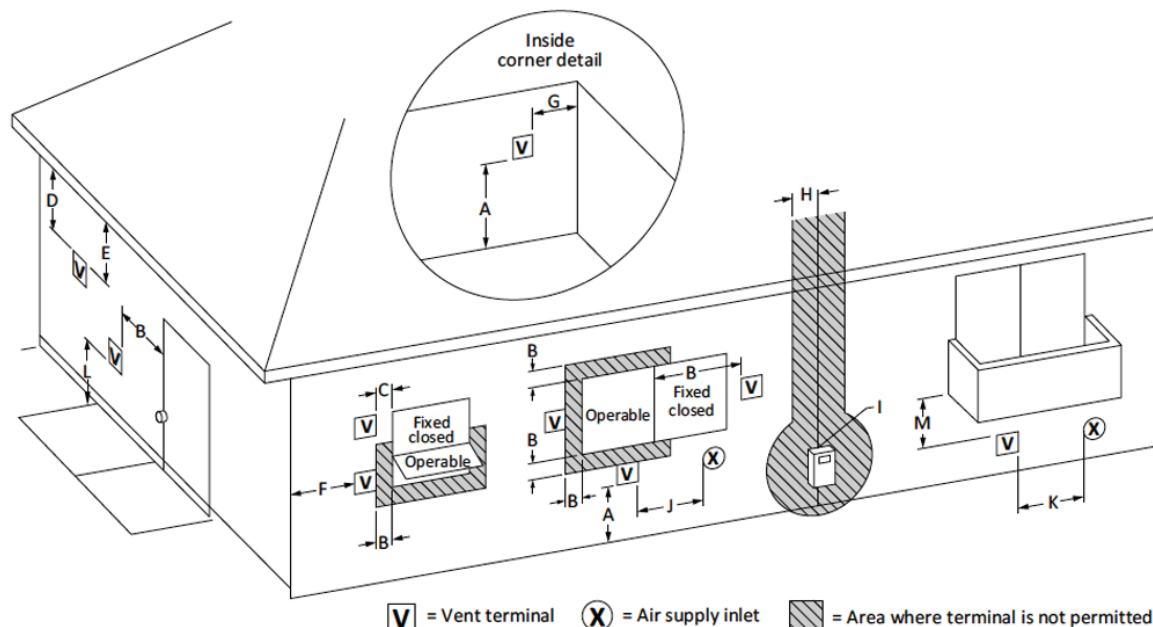


VENT TERMINAL CLEARANCES

REFERENCE LETTER TO DRAWING	CANADIAN INSTALLATIONS ¹	U.S. INSTALLATIONS ²
A = Clearance above grade, veranda, porch, deck, or balcony	12 Inches (30 cm)	12 Inches (30 cm)
B = Clearance to window or door that may be opened	12 Inches (30 cm)	9 Inches (23 cm)
C = Clearance to permanently closed window	12 Inches (30 cm)	9 Inches (23 cm)
D = Vertical clearance to ventilated soffit located above the terminal within a horizontal distance of 2 Feet (61 cm) from the center line of the terminal	18 Inches (46 cm)	18 Inches (46 cm)
E = Clearance to unventilated soffit	18 Inches (46 cm)	18 Inches (46 cm)
F = Clearance to outside corner	12 Inches (30 cm)	12 Inches (30 cm)
G = Clearance to inside corner	12 Inches (30 cm)	12 Inches (30 cm)
H = Clearance to each side of center line extended above meter/regulator assembly	3 Feet (91 cm) within a height 15 Feet (4.5m) above the meter/regulator assembly	Clearance in accordance with local installation codes and the requirements of the gas supplier
I = Clearance to service regulator vent outlet	3 Feet (91 cm)	Clearance in accordance with local installation codes and the requirements of the gas supplier
J = Clearance to nonmechanical air supply inlet to building or the combustion air inlet to any other appliance	12 Inches (30 cm)	12 Inches (30 cm)
K = Clearance to a mechanical air supply inlet	6 Feet (1.83 m)	3 Feet (91 cm) above if within 10 Feet (3 m) horizontally
L = Clearance above paved sidewalk or paved driveway located on public property	7 Feet (2.13m) A vent shall not terminate directly above a sidewalk or paved driveway that is located between two single family dwellings and serves both dwellings	Clearance in accordance with local installation codes and the requirements of the gas supplier
M = Clearance under veranda, porch, deck, or balcony	12 Inches (30 cm) permitted only if veranda, porch, deck, or balcony is fully open on a minimum of two sides	Clearance in accordance with local installation codes and the requirements of the gas supplier

¹ In accordance with the current CSA-B149.1 Natural Gas and Propane Installation Code

² In accordance with the current ANSI Z223.1 / NFPA 54 National Fuel Gas Code



INSTALLATION WARNING

This appliance may be installed in an aftermarket, permanently located, manufactured home (USA only) or mobile home, where not prohibited by local codes.

This appliance is only for use with the type of gas indicated on the rating plate.

This appliance is not convertible for use with other gases, unless a certified kit is used.



WARNING: This appliance should only be installed by a qualified installer.

The installation must conform with local codes or, in the absence of local codes, with the National Fuel Gas Code, ANSI Z223.1/NFPA 54, Natural Gas and Propane Installation Code, CSA B149.1.



WARNING: The appliance area must be kept clear and free from combustible materials, gasoline, and other flammable vapors and liquids.

- Due to high temperatures, the appliance should be located out of traffic and away from furniture and draperies.
- Children and adults should be alerted to the hazards of high surface temperature and should stay away to avoid burns or clothing ignition.
- Young children should be carefully supervised when they are in the same room as the appliance.
- Clothing or other flammable material should not be placed on or near the appliance.
- Any safety screen or guard removed for servicing an appliance must be replaced prior to operating the appliance.

Installation and repair should be done by a qualified service person. The appliance should be inspected before use and at least annually by a qualified service person.

More frequent cleaning may be required due to excessive lint from carpeting, bedding material, etc. It is imperative that control compartments, burners and circulating air passageways of the appliance be kept clean.

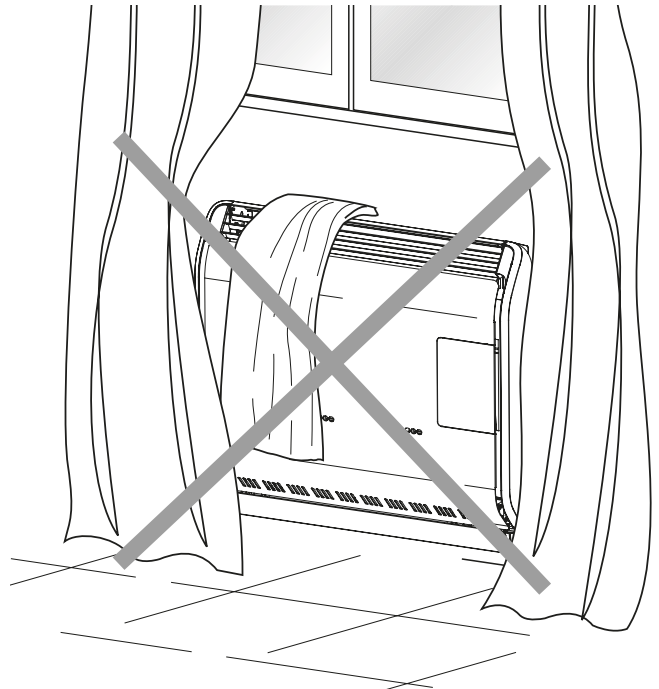


WARNING: Failure to position the parts in accordance with these diagrams, or failure to use only parts specifically approved with this appliance may result in property damage or personal injury.

GENERAL INFORMATION

This appliance is airtight. The combustion air flows only from the outside!

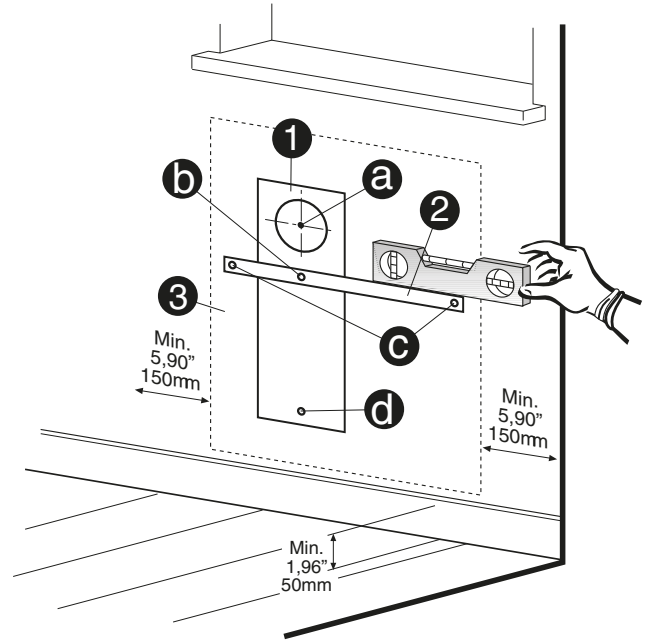
- **DON'T** use for placement, accessories or components not foreseen by the manufacturer, it is dangerous.
- **DON'T** place the power cord on hot surfaces such as air diffusion grids or exhaust pipes after installation. The installer must inform the user on the behaviors to keep during the appliance operation:
- **DON'T** overlap draperies, towels or anything else that could cause a malfunction and prevent a good air circulation in the environment.
- **DON'T** block-off the air inlet / outlet of the appliance with linen or carpets.



INSTALLATION PROCEDURE

The installation steps are:

- Positioning the appliance
- Cutting the intake/discharge pipes to length
- Installing the flue and air intake pipes L = 18,90 (included)
- Installing the combined intake/exhaust pipe terminal
- Installing the gasket
- Installing the heater itself
- Electrical hookup
- Gas line hookup



WALL MOUNTING

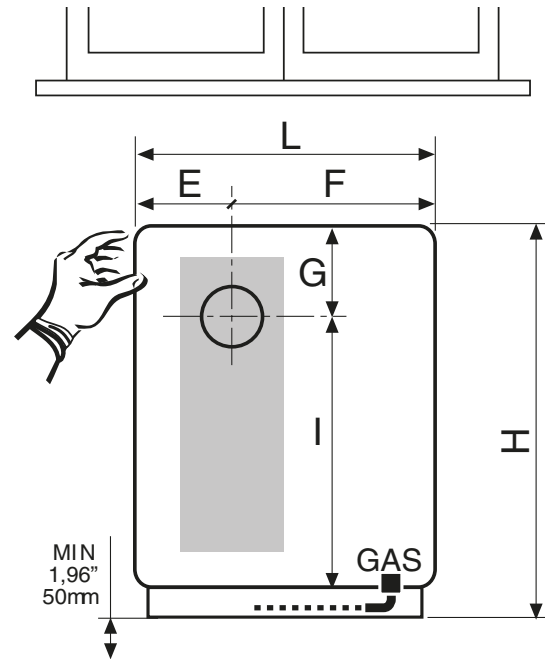
(concentric pipes, combined terminal)

IMPORTANT: Convection heaters are intended for installation against the wall only (the intake and flue pipes run through the wall).

Before starting the installation, make sure the diameters, total lengths and the terminals of the pipes are match those indicated in the following page's figure.

INSTALLING THE TEMPLATE AND BRACKET

- Place the paper template (included with this unit) onto the wall and check the clearances around the appliance.
- Mark the hole "a" on the paper template (3). Make a small initial hole, then use a suitable cutter to make the big hole for the pipes.
- Cut the pipes to length and fit them into the hole.
- Fit the protruding lip of the template (1) onto the pipes.
- Mark the hole "b" on the metal template and drill it, then secure the template and bracket (2) to the wall.
- Level the horizontal bracket and mark the two external holes "c".
- Make the two holes "c" and secure the horizontal bracket.
- Mark and drill the hole "d" and secure the template.



	30	45	
DV	E	11,10" (282mm)	14,17" (360mm)
	F	14,17" (360mm)	18,18" (462mm)
	G	5,74" (146mm)	5,74" (146mm)
	L	25,27" (642mm)	32,36" (822mm)
	H	24,80" (630mm)	24,80" (630mm)
	I	19,13" (486mm)	19,13" (486mm)

! Drill the hole as shown "a" "b" "c" "d" in the above figure.

INSTALLATION PROCEDURE

These models of wall furnaces are designed for direct venting through a wall. Only venting components specifically approved for these furnaces may be used.

The flow of combustion gases and ventilation air must not be obstructed.

Vent terminal must be 18.0" away from an adjacent wall.

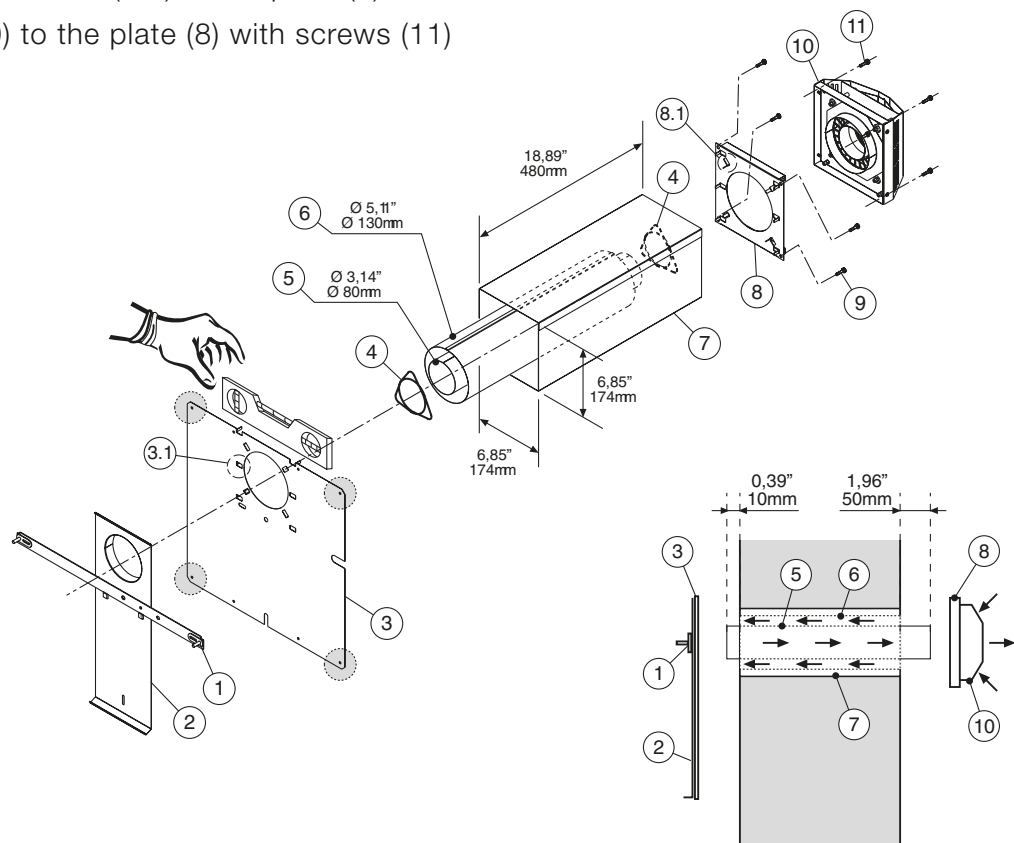
! IMPORTANT: The appliance's venting system should be inspected at least once a year and immediately cleaned if necessary.

! IMPORTANT: the vent-air intake system must be properly installed to insure proper and safe operation. The vent-air intake system must also be properly re-installed and Re-sealed to insure proper and safe operation.

! WARNING: Failure to position the parts in accordance with these diagrams or failure to use only parts specifically approved with this appliance may result in property damage or personal injury.

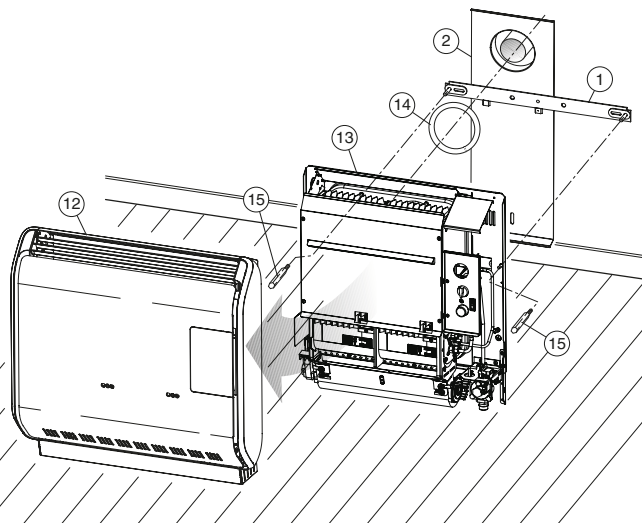
After having established the final position of the appliance, follow the instructions below

1. Create a hole for installation of the wall pass-through (7);
2. Cut wall pass-through (7) at the same depth of the wall;
3. Slide the pass-through (7) inside the wall;
4. Cut the larger pipe (6) as the same depth of the wall;
5. Cut the smallest pipe (5), longer than the pipe (6) as shown in the figure bellow;
6. Put the two centering guides (4) at the beginning and the end of the tubes;
7. Put the pipe (6) into the pass-through (7);
8. Fix the template (3, horizontally) to the wall, using a screw in each corner hole. Bend the four wall pass-through alignment tab's (3.1) at a 90° angle
9. Fix the template (2) over the template (3)
10. Fix the bracket (1) on the template(2)
11. Bend the 4 alignment tabs (8.1) of the plate (8) and secure it to the external wall with screws (9)
12. Fix the terminal (10) to the plate (8) with screws (11)



WALL INSTALLATION

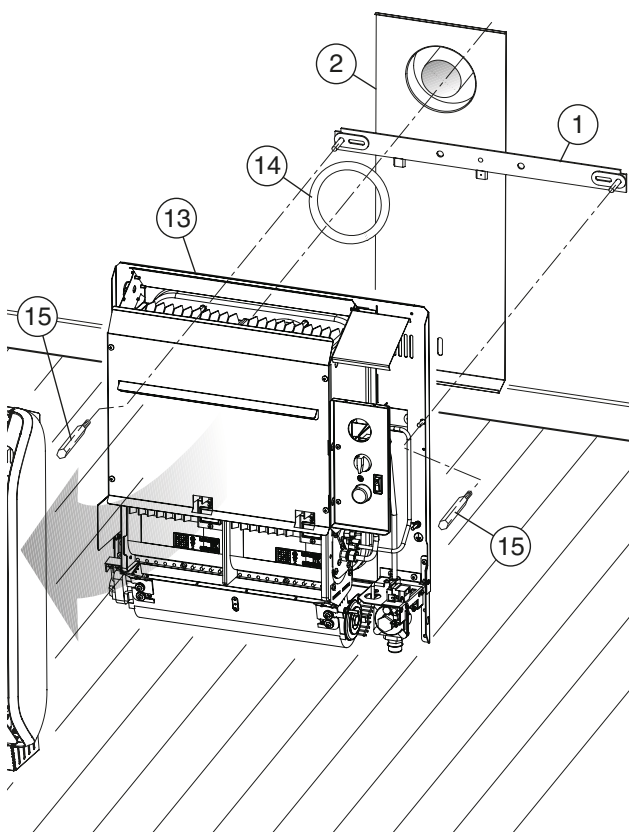
1. Remove the jacket (12) from the heater (13) (see instructions below)
2. Fit the O-Ring gasket (14) around the flange of support (2).
3. Align and insert the two nuts of bracket (1) in the corresponding holes in the heater (13). Make sure the bottom of the heater is supported by the lower flange of the support (2). Secure the heater to the support with two nuts (15). Tighten the nuts (15) until the rear of the heater slightly compresses the gasket (14). If it is not compressed enough, the system will not be airtight which can be hazardous and cause malfunctions.



REMOVING AND REINSTALLING THE JACKET

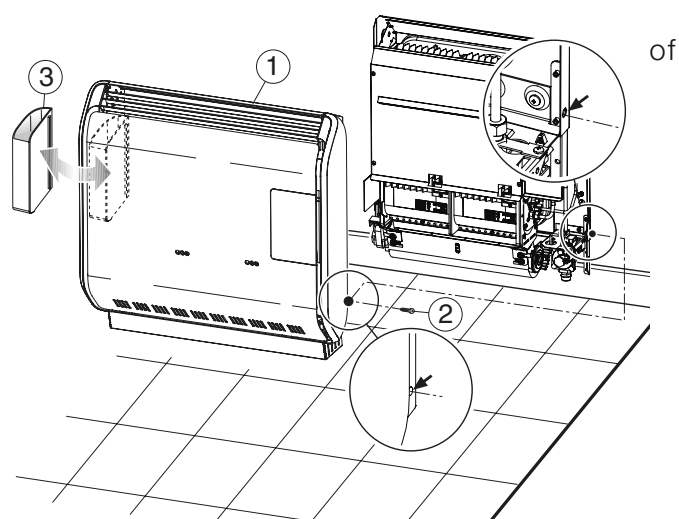
REMOVING THE JACKET

1. Remove the tray (3).
2. Undo the screws (2) securing the jacket.
3. Remove the external jacket (1) by lifting it completely off.



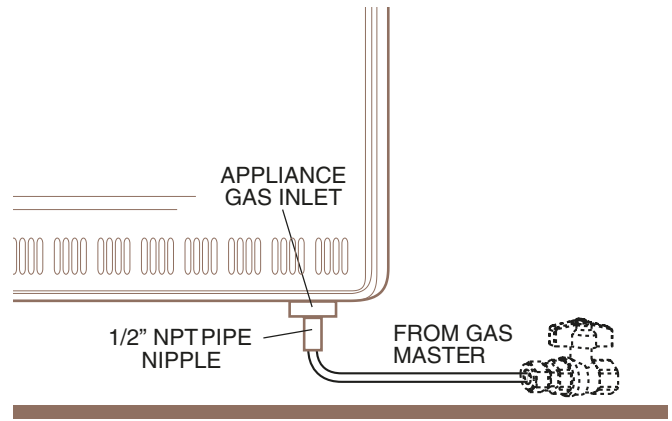
REINSTALLING THE JACKET

1. Fit it against the edge of the frame, slide the front of the jacket onto the front of the frame and push it fully.
2. Hold it in place and secure it to the heater with the screw (2).
3. Restore the tray (3).



GAS CONNECTION

We recommend using only new black iron or steel pipe, **check local codes**. The gas supply line shall be sized and installed to provide a sufficient supply of gas to meet the maximum demand of the heater without undue loss of pressure. The sealant used on the threaded joints of the gas pipe must be a type resistant to the action of L.P.G. This sealant should be applied lightly to main threads to ensure excess sealant does not enter lines.



! IMPORTANT: Hold the gas inlet of the appliance with wrench when connecting it to gas piping and /or fittings.

CHECK AFTER GAS CONNECTION

! WARNING: All gas piping and connections must be tested for leaks after installation or servicing. All leaks must be corrected immediately.

- Make sure the control of the heater is in the “OFF” position.
- Test for leaks by applying liquid detergent to all joints. Check all joints from gas meter to thermostat gas valve. (Bubbles forming indicate a gas leak)
- Correct any leak defect at once.

! CAUTION: never use an open flame to check for leaks

PRESSURE TESTING SUPPLY LINE

! ATTENTION: This appliance and its appliance main gas valve must be disconnected from the gas supply piping system during any pressure testing of that system at test pressures in excess of ½ psi (3,5 kPa).

FOR YOUR SAFETY READ BEFORE LIGHTING

! WARNING: If you do not follow these instructions exactly, a fire or explosion may result causing property damage, personal injury or loss of life.

- A. This appliance has a pilot. When lighting the pilot, follow these instructions exactly.
- B. **Before lighting** smell all around the appliance area for gas. Be sure to smell next to the floor because some gas is heavier than air and will settle on the floor.

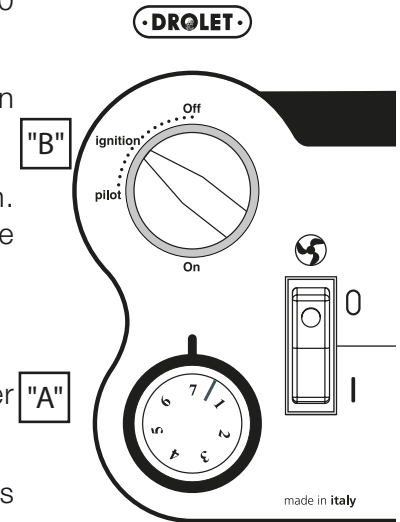
WHAT TO DO IF YOU SMELL GAS:

- Do not try to light any appliance.
- Do not touch any electric switch; do not use any phone in your building.
- Immediately call your gas supplier from a neighbor’s phone. Follow the gas supplier’s instructions.
- If you cannot reach your gas supplier, call the fire department.
- Use only your hand to push in or turn the gas control knob. Never use tools. If the knob will not push in or turn by hand, don’t try to repair it, call a qualified service technician. Force or attempted repair may result in a fire or explosion.
- Do not use this appliance if any part has been under water. Immediately call a qualified service technician to inspect the appliance and to replace any part of the control system and any gas control which has been under water.

OPERATION

LIGHTING INSTRUCTIONS / MILLIVOLT (SELF GENERATING)

1. Turn the thermostat knob **"A"** to 7 (maximum setting).
2. From the "off" position, push in gas control knob **"B"** and hold it in 30 seconds.
3. If you smell gas, STOP! Follow "WHAT TO DO IF YOU SMELL GAS" in the safety information. If you don't smell gas, go to the next step.
4. Hold in knob "B" and turn it counterclockwise towards the pilot position. You should hear the spark/click during the ignition. You will see the flame through the 3 viewing holes in the front jacket.
5. Repeat step "4" until you see a flame in the viewing holes
6. Continue to hold the gas control knob in for about one (1) minute after the flame is lit.
7. Release the gas control knob **"B"**. Pilot should remain lit. If pilot goes out, repeat steps 4 thru 6.



- If knob does not pop up when released, STOP and immediately call your service technician or gas supplier.
 - If the pilot will not stay lit after several tries, turn the gas control knob to "OFF" and call your service technician or gas supplier.
8. When the pilot is stably on, turn the knob to the main burner ignition in On position and check that the burner ignites.
 9. The burner will stay on (changing its power automatically) until it reaches the temperature setting, at which point the burner will turn off leaving only the pilot still on, ready to ignite the burner again as soon the temperature falls. If you experience problems with ignition or operation, or the pilot light goes out, the heater will go into SHUTDOWN mode, and will automatically shut off the gas supply. Wait for 1 minute for the thermocouple interlock to cool down before repeating the ignition procedure. This operation can only be repeated 3 times. If the heater doesn't start after three attempts, set the master switch to OFF and contact service technician or gas supplier.

TO TURN OFF GAS TO APPLIANCE

1. Set the thermostat to it's lowest setting.
2. "Turn off all electric power to the appliance if service is to be performed"
3. Open cabinet door.
4. Push in gas control knob slightly and turn clockwise to "OFF".
5. Do not force.
6. Close cabinet door.

CAUTION: DO NOT TRY TO ADJUST HEATING LEVELS BY USING THE MANUAL SHUTOFF VALVE.

! IMPORTANT:

- Do not dry clothes over the heater.
- Do not spray any aerosol near the heater when functioning. Do not store these elements near the appliance.
- Do not touch grill to avoid burns.
- Avoid blocking air inlet and hot air outlet.
- Do not spill water over the heater as it may cause corrosion or damage.
- Do not touch vent cap while heater is operating, to avoid burns.
- If you smell gas, shut off control valve, open doors and windows and do not light any electrical items near the heater. Call your Gas Supplier.

NOTE: It is normal for the new wall furnace to give some odor the first time it is burned. This is due to the curing of the paint and any undetected oil from the manufacturing process. It is recommended to burn a new room heater for at least two (2) hours the first time that it is used.

CLEANING AND MAINTENANCE

! WARNING: Turn off heater and let cool before cleaning.

CAUTION: You must keep control areas and circulating air passageways of heater clean. Inspect these areas of heater before each use. Have heater inspected yearly by a qualified service person. Heater may need more frequent cleaning due to excessive lint from carpeting, bedding material, etc.

Verify proper operation after servicing.

Make sure the unit is working properly after the maintenance is completed.

Exterior

Use a soft cloth dampened with a mild soap and water mixture. Wipe the cabinet to remove dust.

Air Passageways

Use a vacuum cleaner or pressurized air to clean.

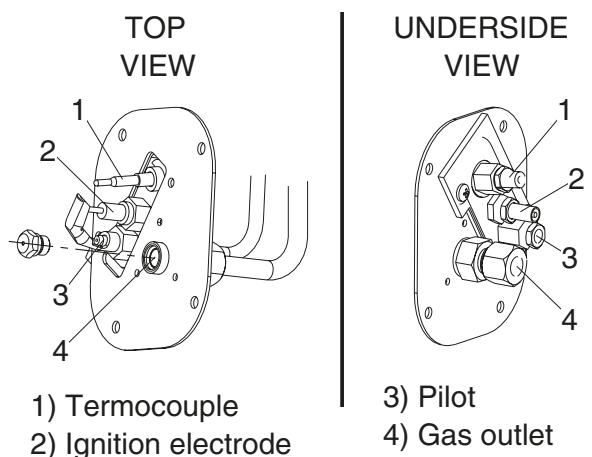
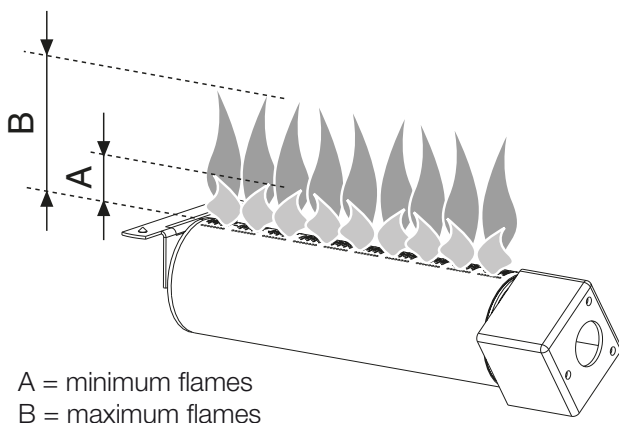
Vent Cap

Use a vacuum cleaner or pressurized air to clean.

Pilot and Burner

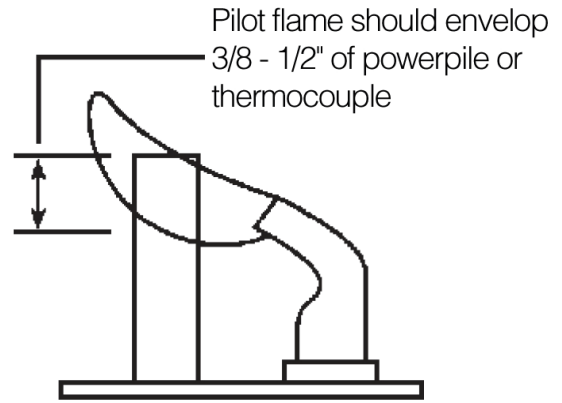
Periodically visually check the pilot and burner flames (View flames through view port).

The correct flame pattern should be viewed by looking through the view port in front of the unit cover.



PILOT FLAME

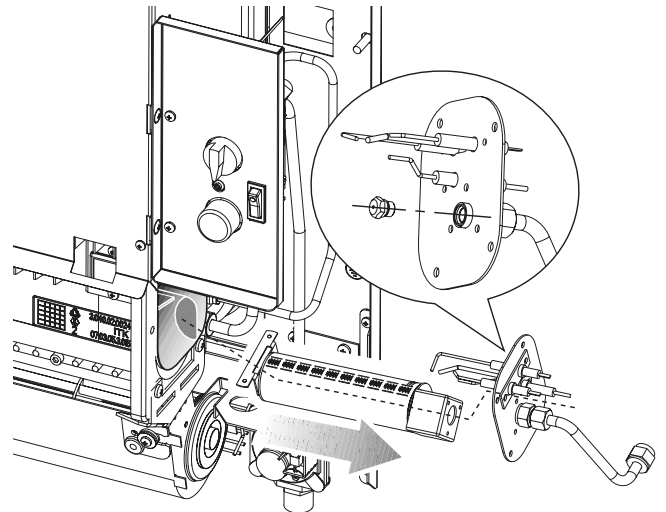
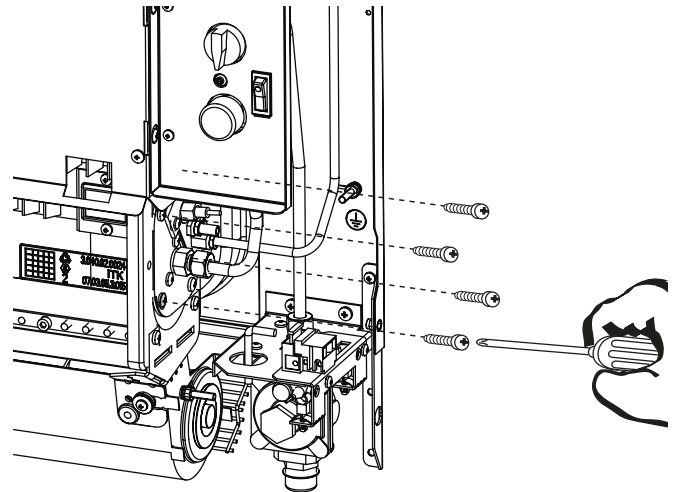
The pilot flame must to be always in a stable condition, correctly touching the flame relavator to keep the appliance lit on, if not, call your technical service or your gas supplier



TO REMOVE MAIN BURNER FOR INSPECTION AND CLEANING

NOTE: The stove and all components must be inspected at least annually by a qualified service technician. This should include the burner, heat exchanger, and vent system. Be sure that the flow of combustion and ventilation air are not obstructed.

1. Remove outer casing.
2. Disconnect gas supply to valve.
3. Remove the screws holding burner door to heat exchanger and lift out complete burner.
4. After inspecting burner, place back into heat exchanger. Be sure door gasket is not damaged and will effect a proper seal or pilot outage will occur.
5. Tighten screws holding burner door to heat exchanger.
6. Connect gas supply back to the pilot.
7. Reassemble the casing.



GAS CONVERSION INSTRUCTION

! WARNING: Conversion must be done by a qualified service technician, using only the original parts attached to the appliance.

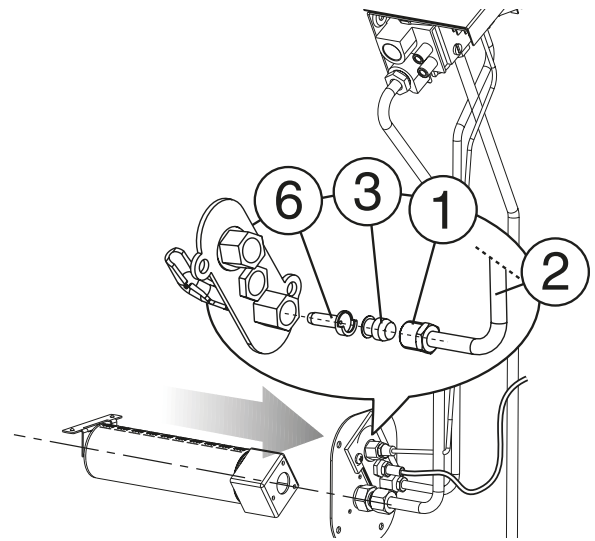
The room heater is suitable, and it is possible to change, in every moment, the configuration from a type of gas to another type, i.e. from Gas "E" (LPG) to Gas "A"(LNG).

To make this conversion follow the below instructions, step by step:

- Disconnect the electrical power supply.
- Remove the jacket.
- Shut off the gas supply and disconnect the pipes.

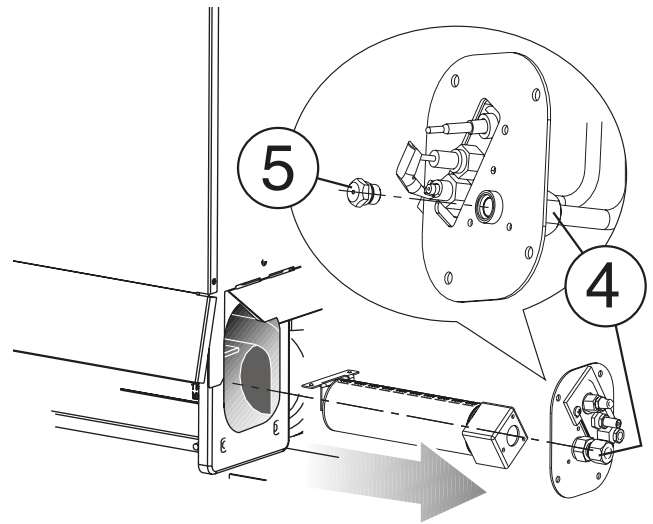
PILOT BURNER INJECTOR REPLACEMENT

1. Unscrew the M10x1 collar (1) from the pilot burner fitting, extract the gas pipe(2) with the injector (6) still attached to it.
2. Replace the injector(6) with the one for the new gas type.



! IMPORTANT: Make sure that the groove on the head of the injector (6) fits onto the key on the gas outlet (3).

3. In reverse order, replace the pipe with the injector connected to it, taking care not to dislodge or crush it at the beginning, clamping the collar manually, at the end, complete this operation with a wrench. The seal of the injector is mechanic, so there is no need for a gasket.



MAIN GAS BURNER INJECTOR REPLACEMENT

1. Unscrew the collar (4, 3/8" F) from the MAIN BURNER Injector mount fitting;
2. Unscrew the injector mount fitting from the injector itself;
3. Unscrew the injector (5) and replace it with the new one. Thread it on by hand and only then tighten it down with a wrench. The seal of the injector and of the injector mount fitting is mechanic, so there is no need for a gasket.
4. Check that the value stamped on the injectors match those in the table.
5. Restore the burner unit in reverse order.
6. Make the adjustments indicated in Chapter ADJUSTMENTS; also check that the gas fittings on the pipe running from the gas cock to the burner unit are tight.

Model	mm	(LNG)	(LPG)
DV30 main burner	Ø	1,65	1,05
pilot	Ø	0,42	0,19
DV45 main burner	Ø	1,98	1,25
pilot	Ø	0,42	0,19

7. Change the gas label and seal the adjustment equipment once it is calibrated, with a drop of paint or silicone. Never leave the old gas label on the appliance; this can lead to misunderstanding and is hence very hazardous.



IMPORTANT: To complete the conversion from a kind of gas to other you must change the configuration on the gas regulator and follow carefully the instructions in the Chapter ADJUSTMENTS only for "minimum pressure" according the kind of gas.

ADJUSTMENTS



WARNING: Adjustments must be done by a qualified service technician, using only the original parts attached to the appliance.



WARNING: First of all, you must change the configuration into the gas regulator according the kind of gas that you want to use. Follow the steps below carefully.

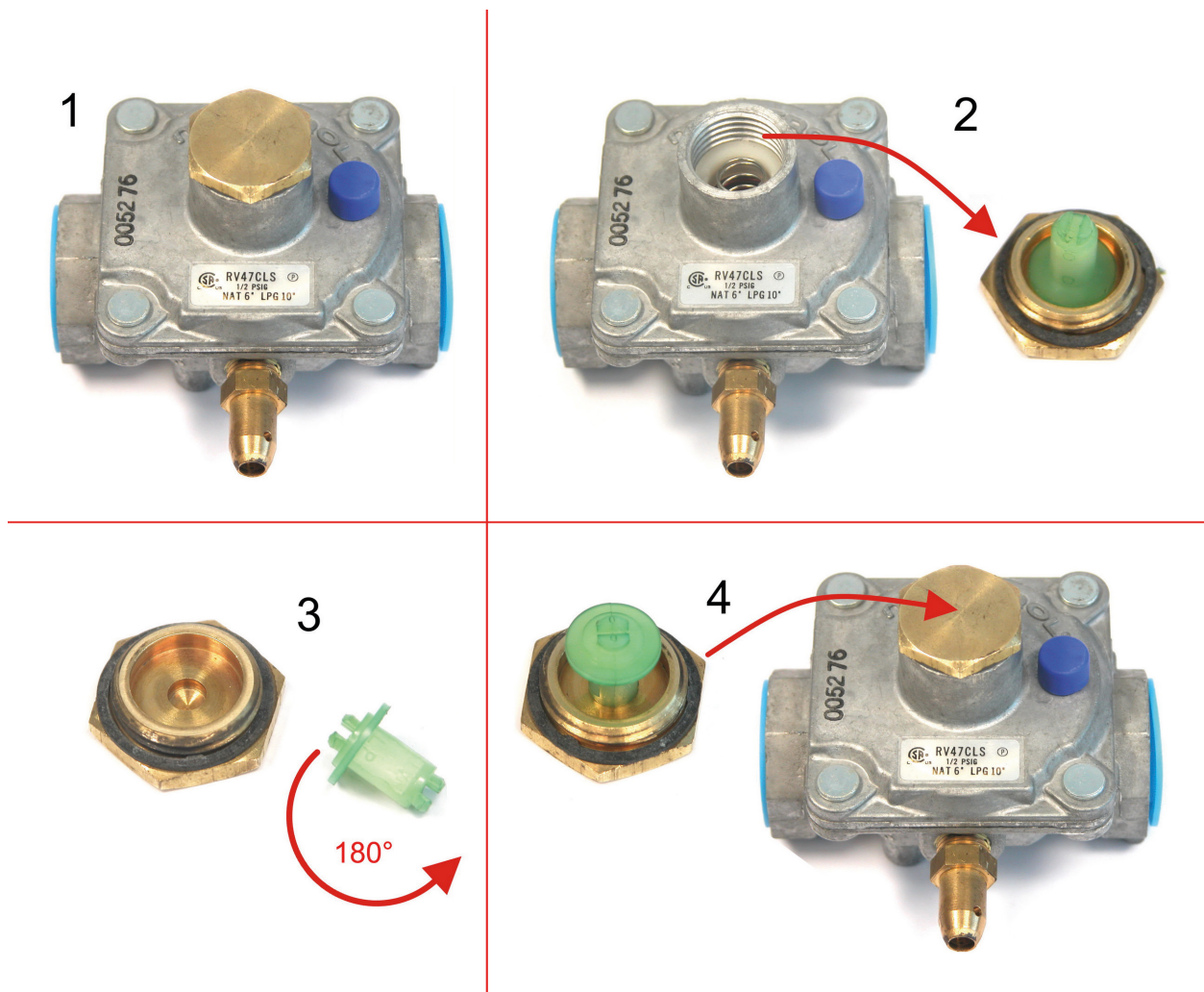
Figure 1: unscrew the hexagonal seal cap.

Figure 2: there is a plastic plug clipped in the seal cap. The plug has small end marked with Gas "A"(LNG) and a bigger end marked with Gas "E"(LPG).

Figure 3: the plug must be clipped in the right position to achieve the requested outlet pressure:

- small side facing the regulator and bigger side facing the seal cap => outlet pressure for Gas "A"(LNG)
- bigger side facing the regulator and small side facing the seal cap => outlet pressure for Gas "E"(LPG)

Figure 4: screw in the sealcap.



CHECKING THE SUPPLY PRESSURE

1. Slacken off the pressure port screw (1), connect the pressure gauge and check that the mains pressure (1) is: 4 PSI (GAS "A"(LNG)) or 10 PSI (GAS "E"(LPG)), then remove the pressure gauge and close the port.
2. Slacken off the pressure port screw (2), connect the pressure gauge and check that the nominal and minimum pressures (2) match the right values according the gas type:

GAS TYPE A (LNG) "Minimum Pressure Adjustment"

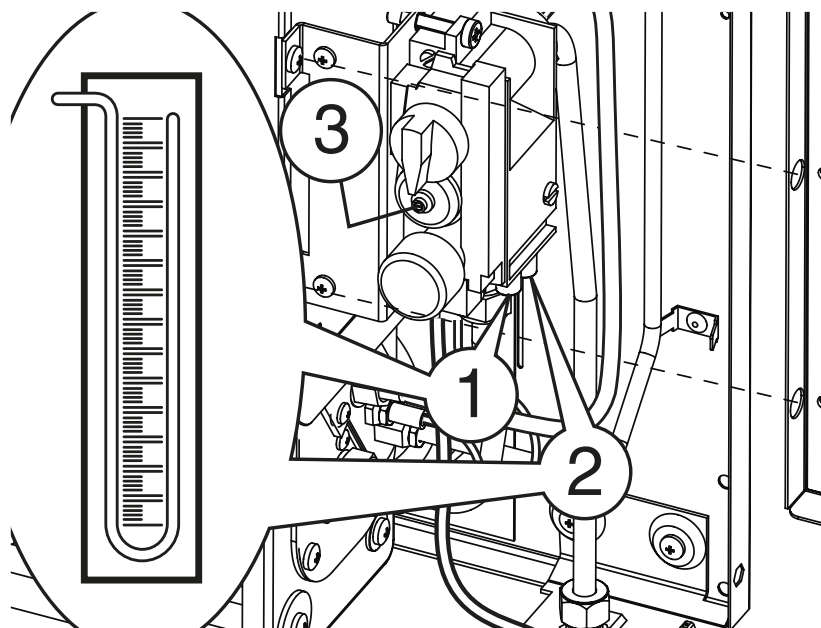
With the appliance running at minimum power, and the thermostat knob turned to pos. 1.

- Check that the minimum pressure values is: 0.029 PSI If necessary, adjust it with the minimum flow rate regulator screw (exagonal) on the side of the gas valve. Turn the regulator CLOCKWISE to decrease the pressure and COUNTERCLOCKWISE to increase it. Once the settings have been made, seal both the pressure and minimum flow rate regulators with a drop of paint, then disconnect the pressure gauge from the pressure port and turn in the screw.

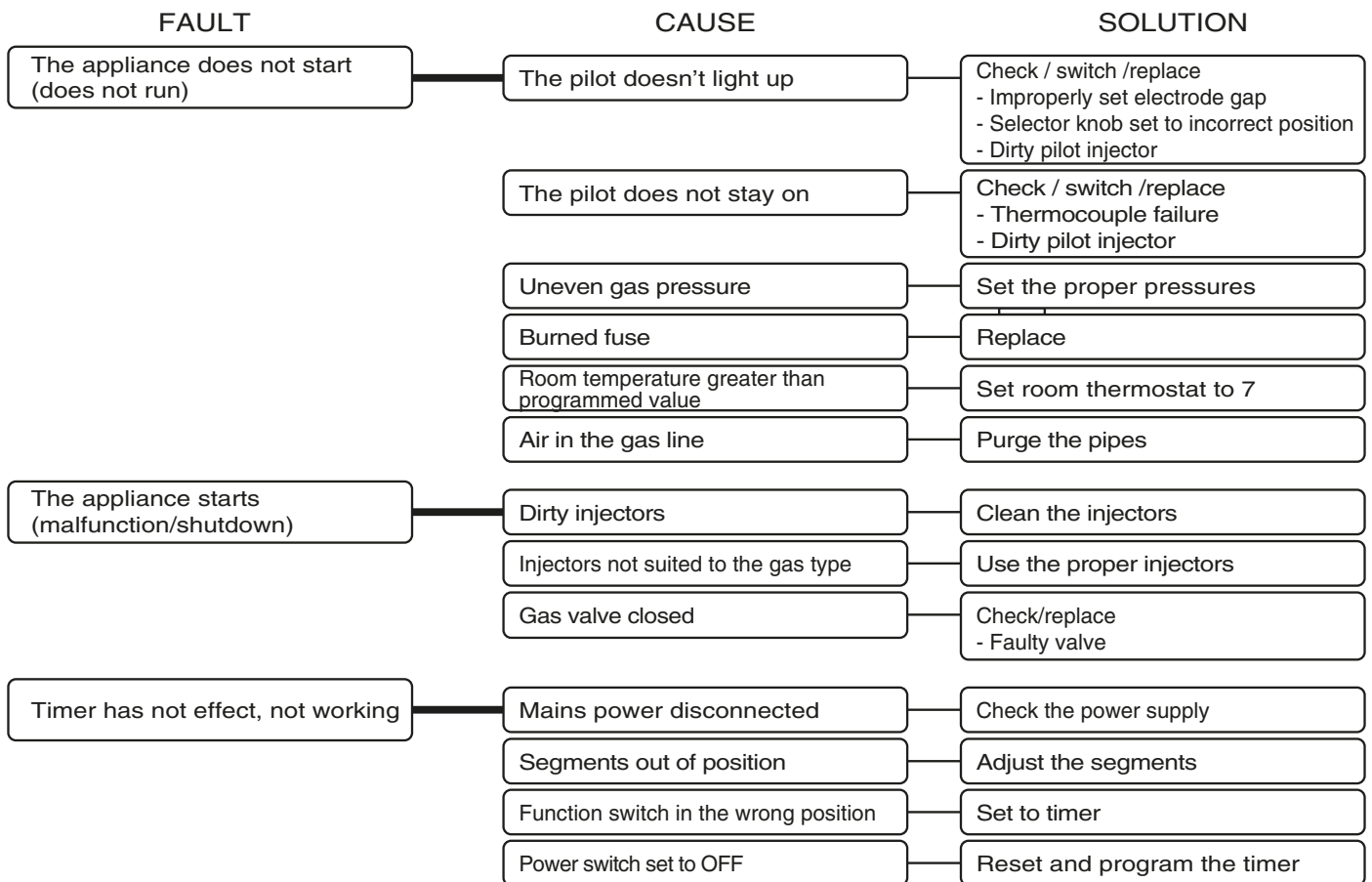
GAS type E (LPG) "Minimum Pressure Adjustment"

With the appliance running at minimum power, and the thermostat knob turned to pos. 1.

- Check that the minimum pressure values is: 0.087 PSI If necessary, adjust it with the minimum flow rate regulator screw (exagonal) on the side of the gas valve. Turn the regulator CLOCKWISE to decrease the pressure and COUNTERCLOCKWISE to increase it. Once the settings have been made, seal both the pressure and minimum flow rate regulators with a drop of paint, then disconnect the pressure gauge from the pressure port and turn in the screw.



FAULT	CAUSE	SOLUTION
The room thermostat is not working	Thermostat knob needs adjustment	Adjustment - turn towards 1 to decrease - turn towards 7 to increase
	Improperly positioned heater	Change installation position
	Top/bottom grille obstructed	Clear obstruction
	Thermostat bulb dislodged	Reposition
	Room thermostat faulty	Replace thermostat with gas valve
No ignition spark	Ignition electrode / cable: - defective - grounded - improperly connected	Check / replace
	Ignition knob not fully pushed in or not turned properly	Set knob correctly
	Ignition failure	Replace ignition unit with gas valve
The burner goes out while the heater is running	Intake/discharge pipes improperly installed	Check / restore - length of pipes - tight connection between appliance and pipes
	Inadequate or fluctuating gas pressure	Check / adjust gas
The appliance is not heating adequately	Selector knob set to pilot	Set to burner
	Thermostat on low setting	Set room thermostat to 7
	Improper injector/gas pressure	Check / adjust gas / replace injector
	Appliance not powerful enough for the room	Replace with a more powerful model
The fan does not run	Mains power disconnected	Check
	Air temperature less than 50°C	Check
	Ignition/control set to MIN	Switch to MAX
	Motor faulty	Replace
The hot air flow is reduced	Tangential fan failure	Replace
	Intake/outlet grille obstructed	Verify / Release
The fan does not change speed. The burner does not change its power setting.	Switch faulty	Check / replace



TROUBLESHOOTING

⚠ WARNING: If you smell gas:

- Shut off gas supply.
- Do not try to light any appliance
- Do not touch any electrical switch, do not use any phone in your building.
- Immediately call your gas supplier from a neighbor's phone. Follow the gas supplier's instructions.
- If you cannot reach your gas supplier, call the fire department.

⚠ WARNING

Turn off heater and let cool before servicing. Verify proper operation after servicing.

WARRANTY

DROLET LIMITED 5 YEARS WARRANTY

The warranty of the manufacturer extends only to the original consumer purchaser and is not transferable. This warranty covers brand new products only, which have not been altered, modified nor repaired since shipment from factory. Proof of purchase (dated bill of sale), model name and serial number must be supplied when making any warranty claim to your DROLET dealer.

This warranty applies to normal residential use only. Damages caused by misuse, abuse, improper installation, lack of maintenance, negligence or accident during transportation are not covered by this warranty.

This warranty does not cover any scratch, corrosion, warping, or discoloration caused by over firing, abrasives or chemical cleaners. Any defect or damage caused by the use of unauthorized parts or others than original parts void this warranty. An authorized qualified technician must perform the installation in accordance with the instructions supplied with this product and all local and national building codes. Any service call related to an improper installation is not covered by this warranty.

The manufacturer may require that defective products be returned or that digital pictures be provided to support the claim. Returned products are to be shipped prepaid to the manufacturer for investigation. If a product is found to be defective, the manufacturer will repair or replace such defect and reasonable transportation fees will be refunded.

The manufacturer at its discretion may decide to repair or replace any part or unit after inspection and investigation of the defect. The manufacturer may, at its discretion, fully discharge all obligations with respect to this warranty by refunding the wholesale price of any warranted but defective parts. The manufacturer shall in no event be responsible for any special, indirect, consequential damages of any nature, which are in excess of the original purchase price of the product.

DESCRIPTION	WARRANTY APPLICATION
	PARTS
Combustion chamber (welds only), burner, venting system and enameled parts	5 years
Gas valve, pilot assembly (related parts) and ceramic glass (thermal breakage only*)	2 years
Blowers, heat sensors, switches and gaskets	1 year

**Pictures required*

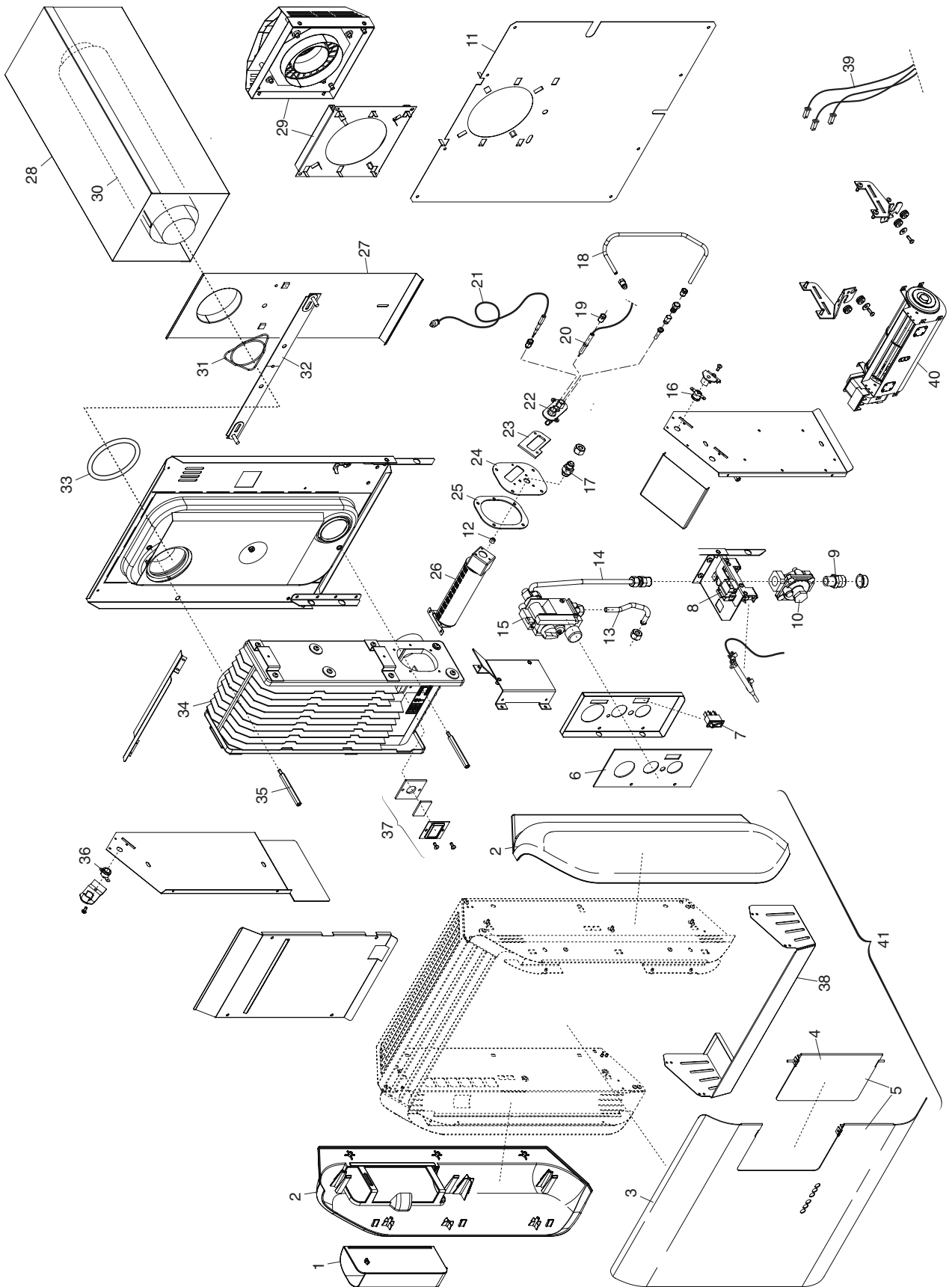
Shall your unit or a component be defective, contact immediately your dealer or **DROLET** customer service. Prior to your call make sure you have the following information necessary to your warranty claim treatment:

- Your name, address and telephone number.
- Bill of sale and dealer's name.
- Serial number and model name as indicated on the nameplate fixed to the back of your unit.
- Nature of the defect and any relevant information.

Important: Do not ship your unit or defective component to our plant before you have obtained from your DROLET dealer, an Authorization Number. Any merchandise shipped to our plant without authorization will be refused automatically and returned to sender.

Contact us: tech@sbi-international.com

PARTS LIST



		Description	DV30	DV45
31135	1	RAL9002 humidifying tray		80020025 00
31136	2	RAL9002 DX + SX side panels		80020020 00
31137	3	RAL9002 front panel	80010670 00	80010671 00
31138	4	RAL9002 door		80002051 00
31139	5	RAL9002 front panel + door	80010672 00	80010673 00
44236	6	Lexan dashboard		80010674 00
44232	7	Vent. switch tangential		80000900 00
44237	8	Terminal block with fuse		80010675 00
49729	9	Gas connection		80010676 00
49716	10	Pressure stabilizer		80010677 00
49730	11	Wall protection template		80010678 00
49727	12	Gaz "A"(LNG) pilot + burner nozzles	80001250 00	80001260 00
49728	12	Gas "E"(LPG) pilot + burner nozzles	80010680 00	80010679 00
49718	13	Gas outlet pipe		80002054 00
49719	14	Gas inlet pipe		80010681 00
49720	15	Valve group		80010682 00
44233	16	Safety thermostat		80010683 00
49731	17	Nozzle connection		80001000 00
49721	18	Pilot pipe		80010685 00
49722	19	Electrode fixing connection		80001140 00
49723	20	Ignition electrode		80001200 00
49724	21	Bent thermocouple		80002057 00
49725	22	Pilot burner		80000990 00
21600	23	Pilot burner seal		80000980 00
49732	24	Burner flange		80000970 00
21601	25	Burner gasket		80000960 00
49726	26	Burner	80001390 00	80001400 00
49733	27	Fixing template	80002059 00	80002061 00
PL69252	28	Protection air inlet/exhaust fumes		80010686 00
SE69230	29	Terminal		80010687 00
PL69250/ PL69251	30	Pipes Air inlet / Flue outlet		80010688 00
PL69130	31	Centering spring		80000675 00
49734	32	Template bracket	80002063 00	80002064 00
21599	33	OR pipe	80000661 00	80000671 00
99999	34	Heat exchanger	80000541 00	80000551 00
31140	35	Column M6		80000635 00
44238	36	Tangential fan thermostat		80010684 00
49736	37	Oblo Group		80000520 00
31141	38	Lower carter	80010689 00	80010690 00
60414	39	Electrical wiring		80010691 00
44234	40	Tangential fan	80010692 00	80010693 00
99999	41	RAL9002 Cover group	80010694 00	80010695 00

NOTE: Due to ongoing product upgrading, aesthetic and dimensional features, technical details, fittings and accessories could undergo changes and are not binding.

Distributed by:
Stove Builder International inc.
250, rue de Copenhague,
St-Augustin-de-Desmaures
(Québec) Canada
G3A 2H3
418-908-8002